



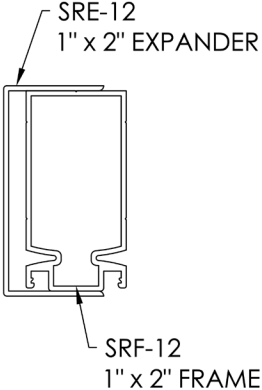
PORCH CONVERSIONS

by **LIVINGSPACE SUNROOMS®**

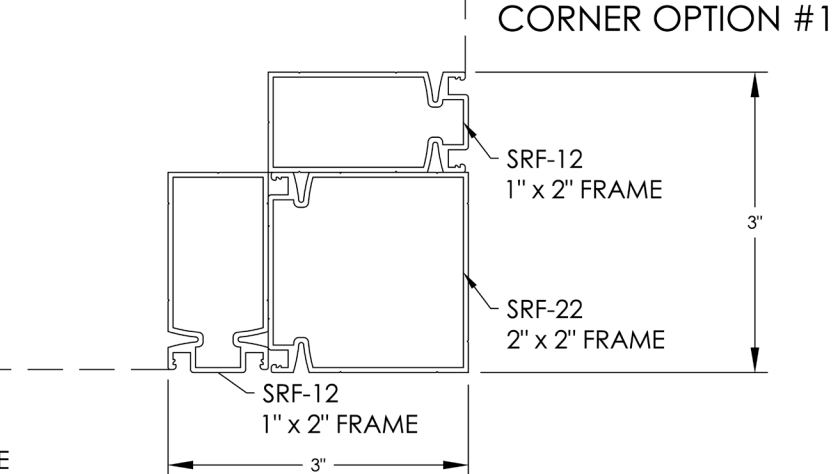
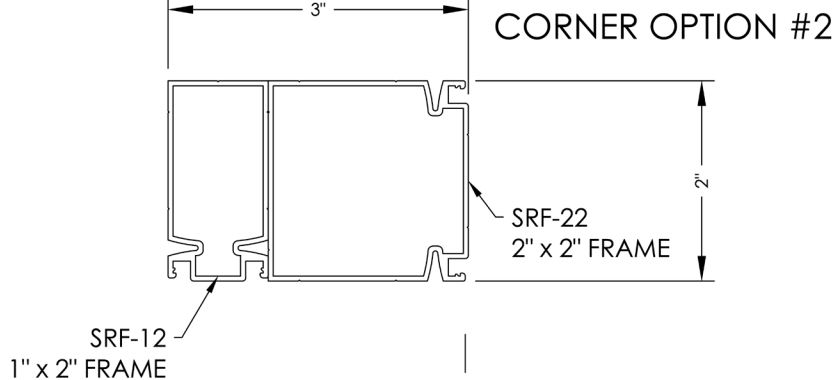
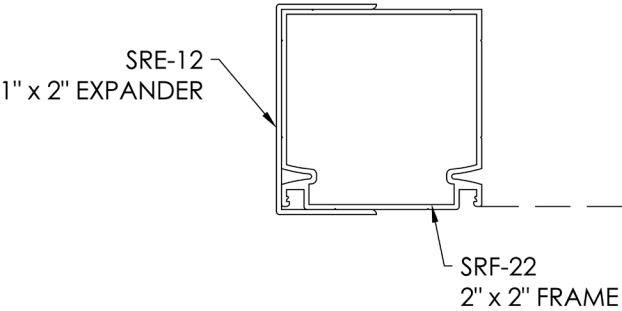
ARCHITECTURAL PACK

PRC WALL LAYOUTS

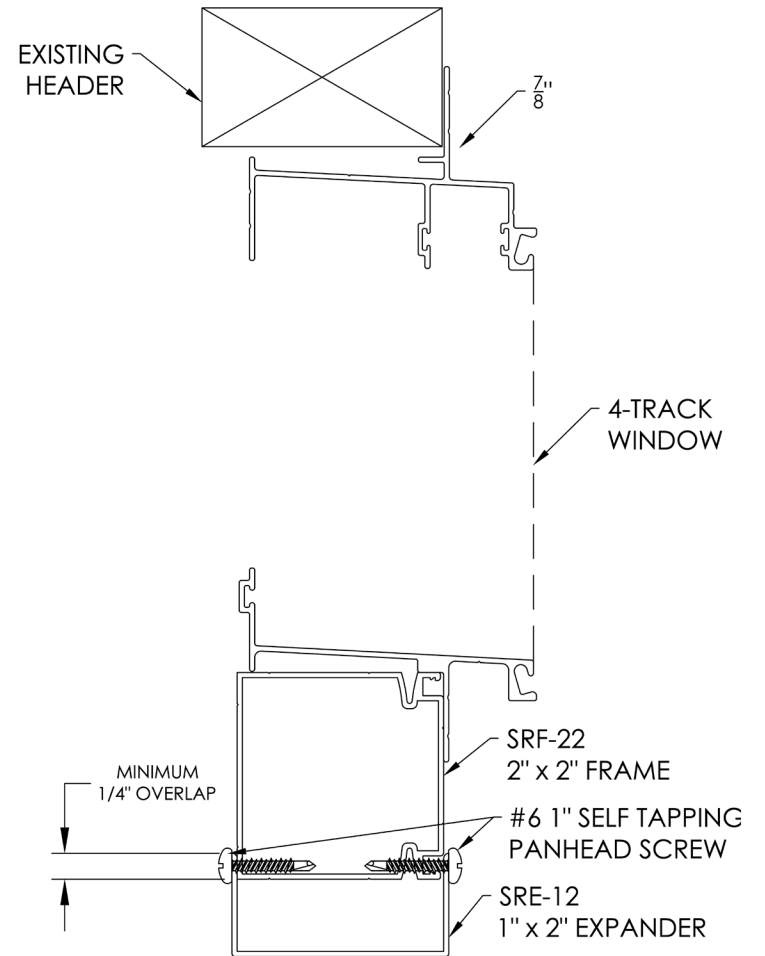
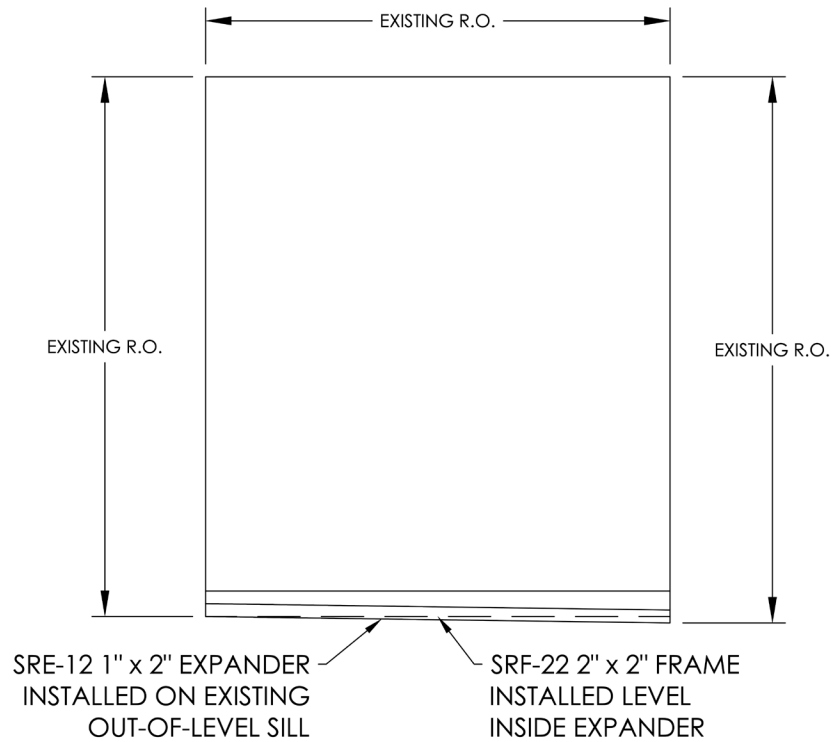
WALL STARTER #2
LOW PROFILE



WALL STARTER #1
STANDARD



SILL LEVELING w/ PRC

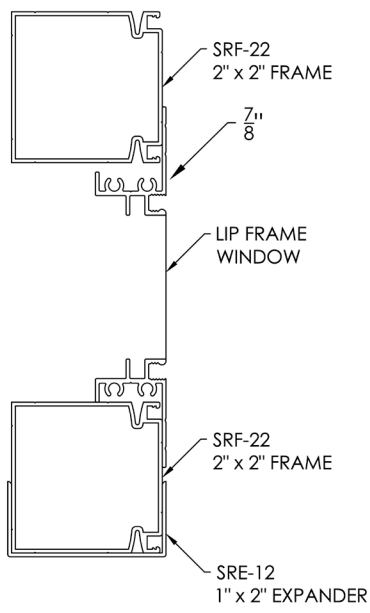


NOTE: THIS METHOD / MATERIAL COMBINATION CAN BE USED TO LEVEL HEADERS,
OR TO PLUMB POSTS AS NEEDED IN ANY VERTICAL OR HORIZONTAL ORIENTATION

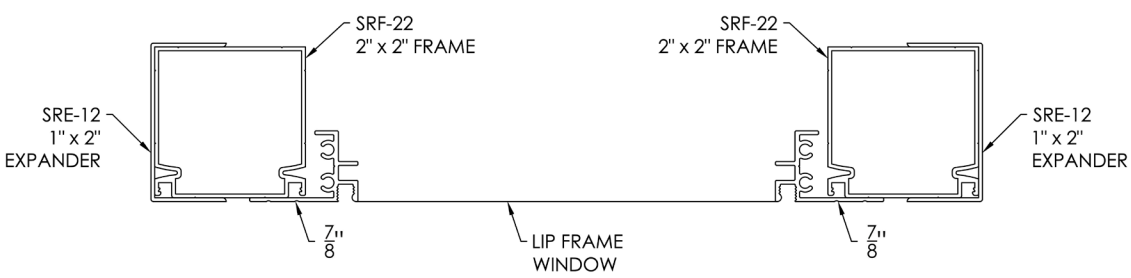


PRC w/ LIP FRAME

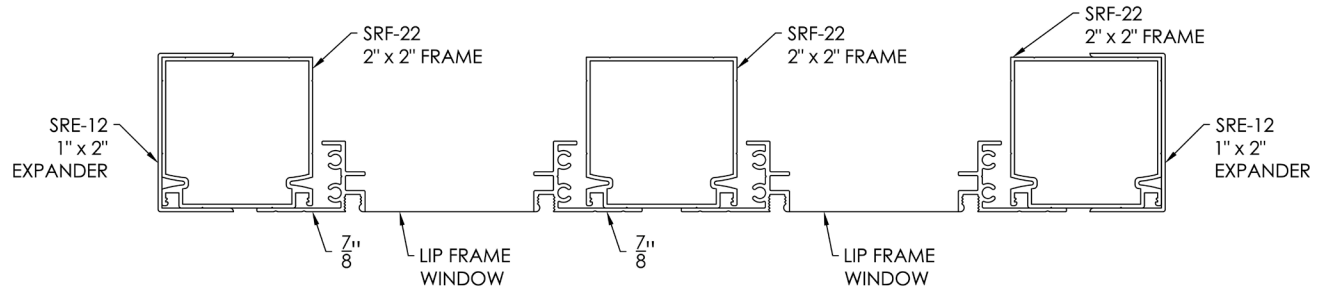
Vertical



Horizontal 1 window

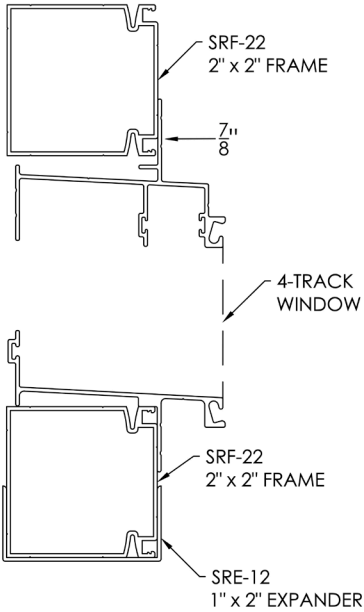


2 or more windows (Twin/Triple Pack)

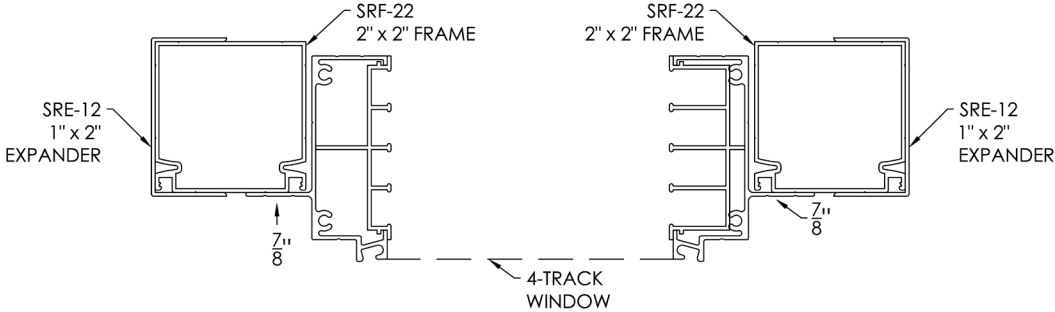


PRC w/ 4-TRACK FRAME

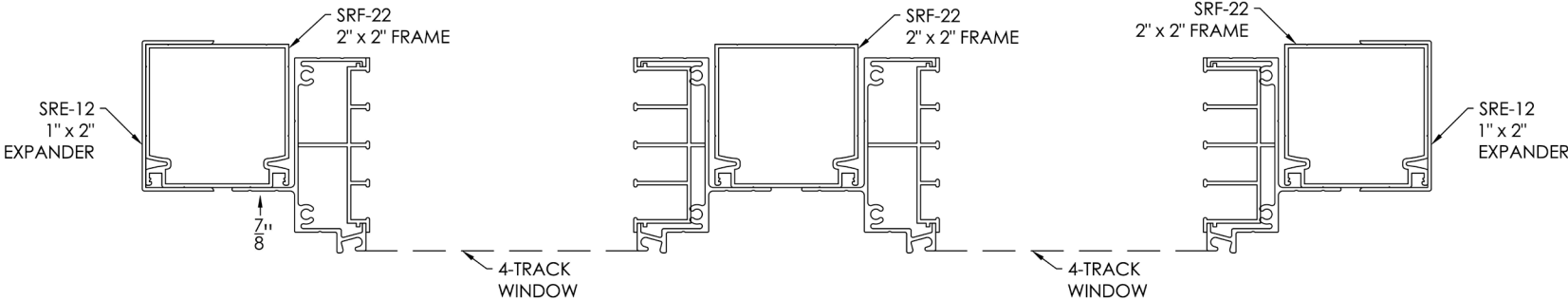
Vertical



Horizontal 1 window



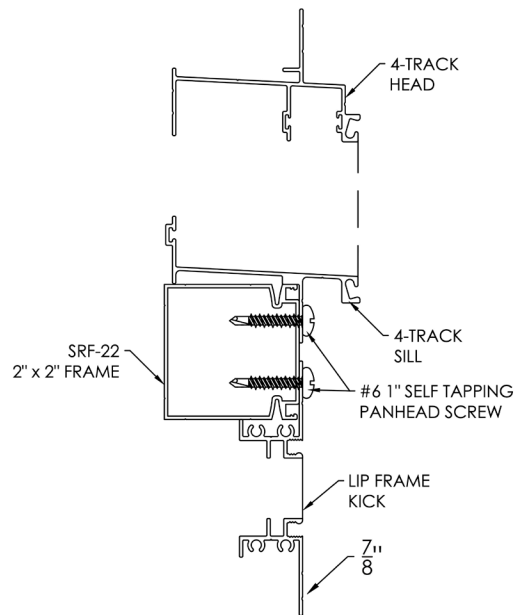
2 or more windows (Twin/Triple Pack)



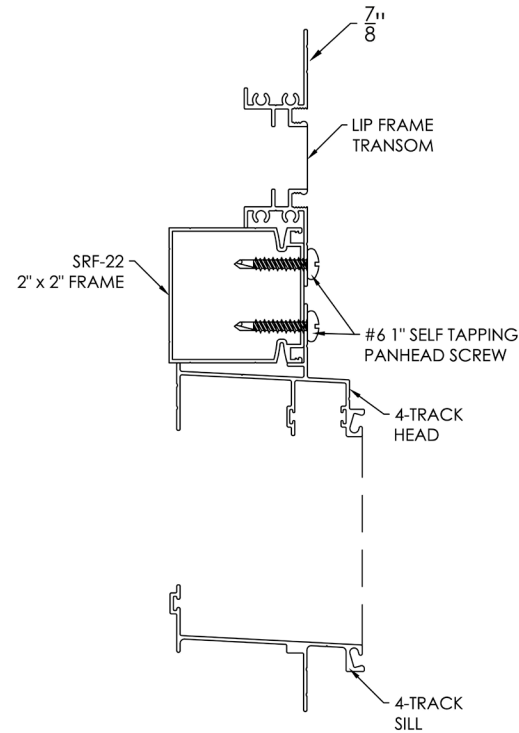
MULLED UNIT ASSEMBLIES

Vertical sections

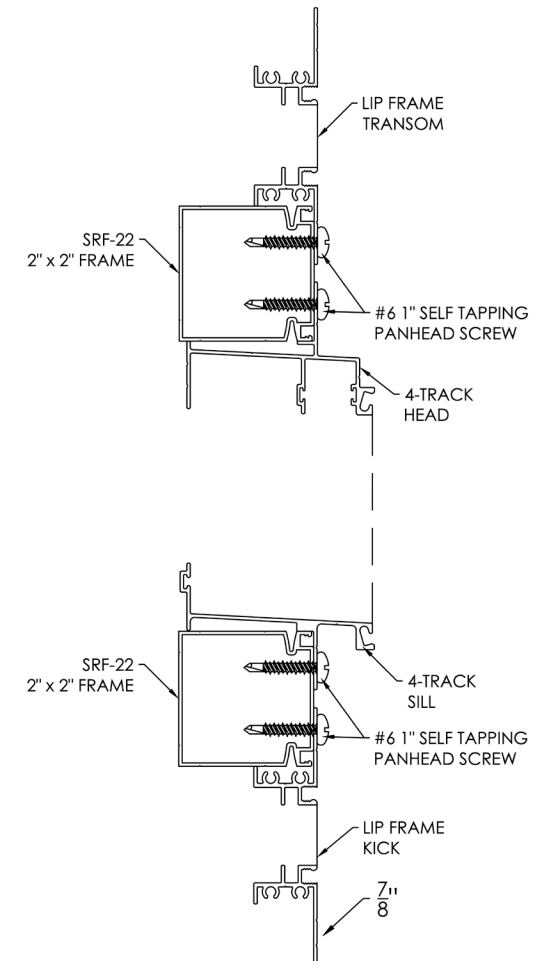
Operable window
w/ mulled kick



Operable window
w/ mulled transom



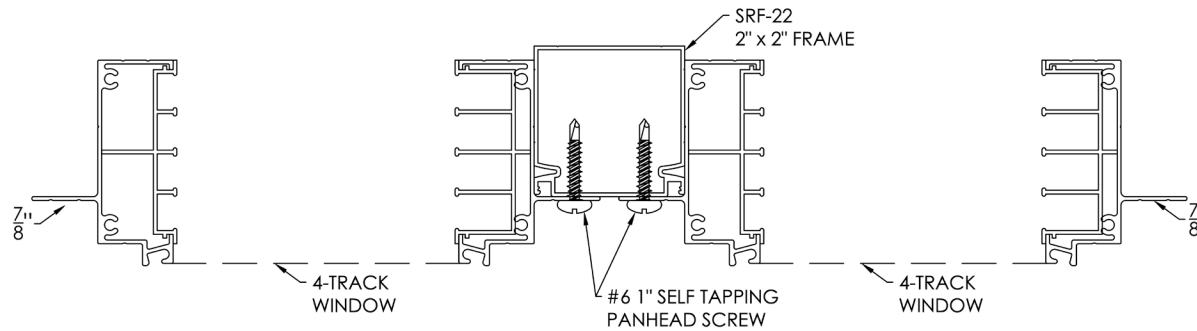
Operable window w/ mulled kick
and mulled transom



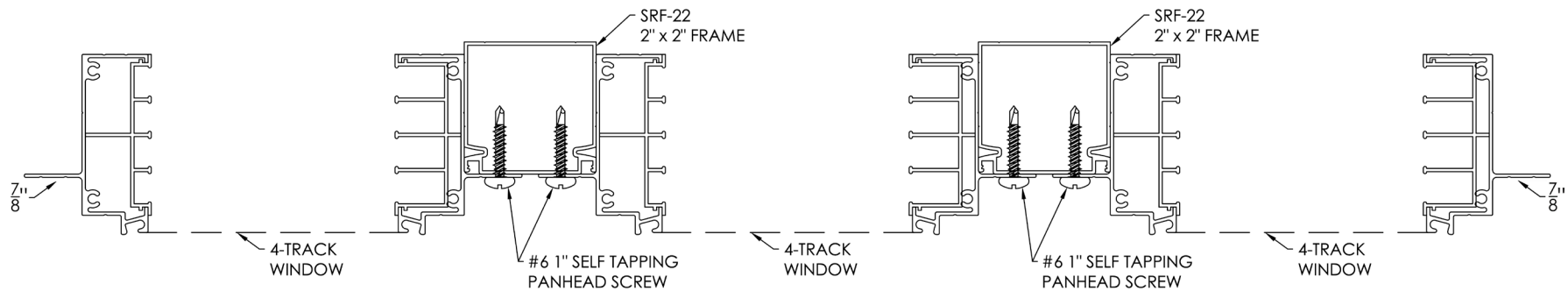
MULLED UNIT ASSEMBLIES

Horizontal sections

Twin Pack

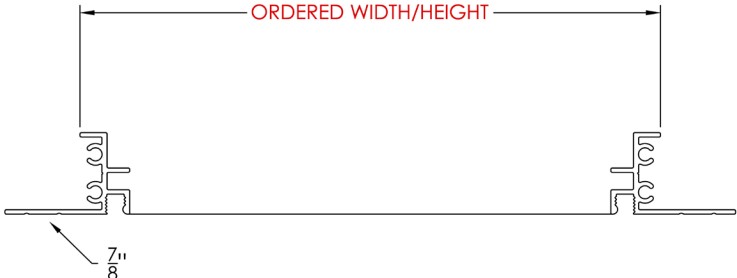


Triple Pack

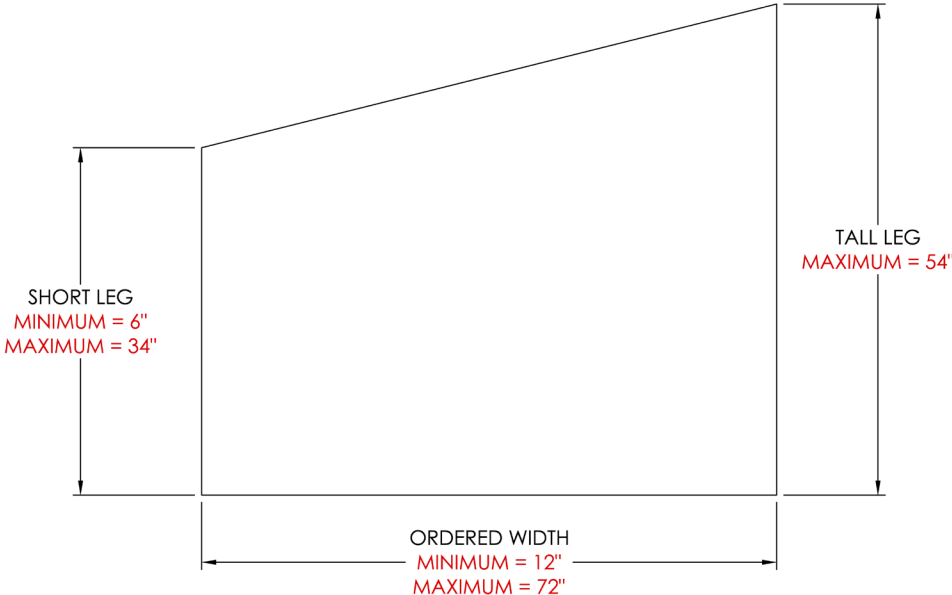


LIP FRAME DETAILS

Window section



Trap details



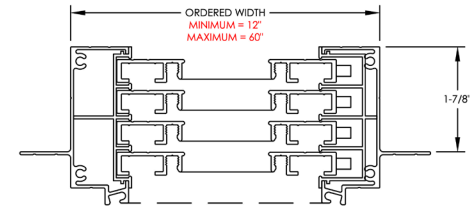
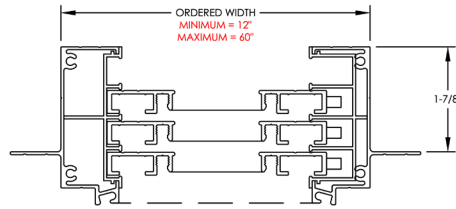
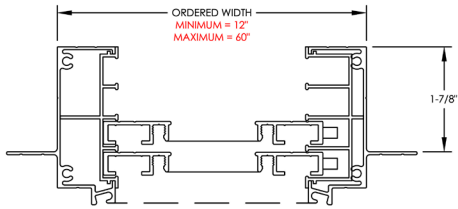
ORDERED FRAME SIZE

FLEXIGLAZE VINYL:
MINIMUM = 6" W x 6" H
MAXIMUM = 52" x 96" H
NOTE: SOME ORDERED SIZES
MAY REQUIRE SPREADER BARS

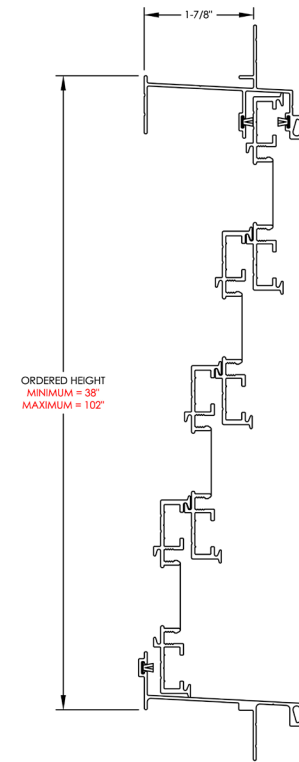
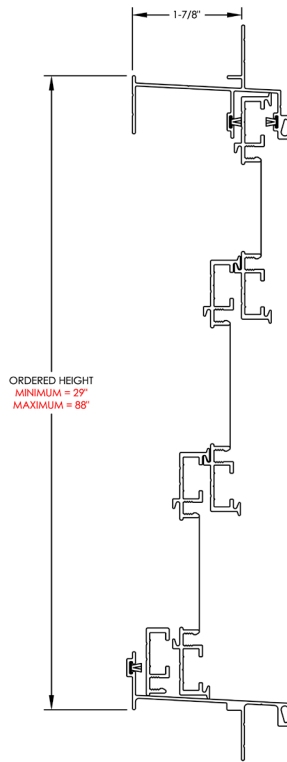
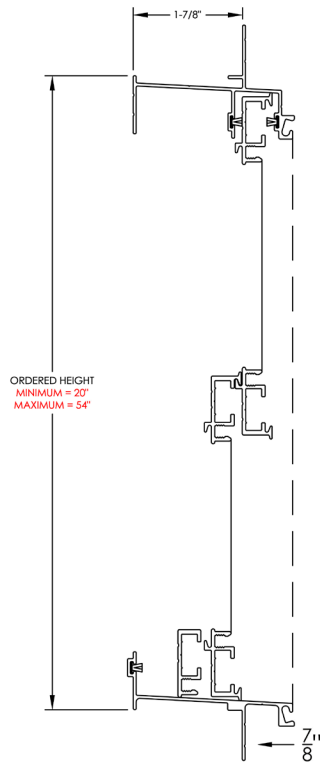


2/3/4-Track Window Sections

Horizontal sections



Vertical sections



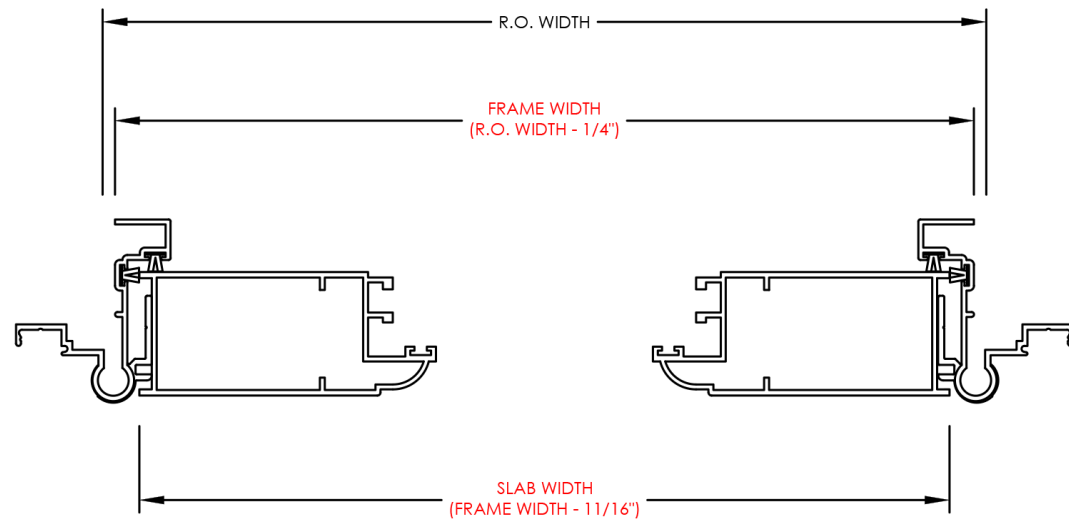
Single Door Sections

ORDERED FRAME SIZE

MINIMUM = 30" W x 72" H

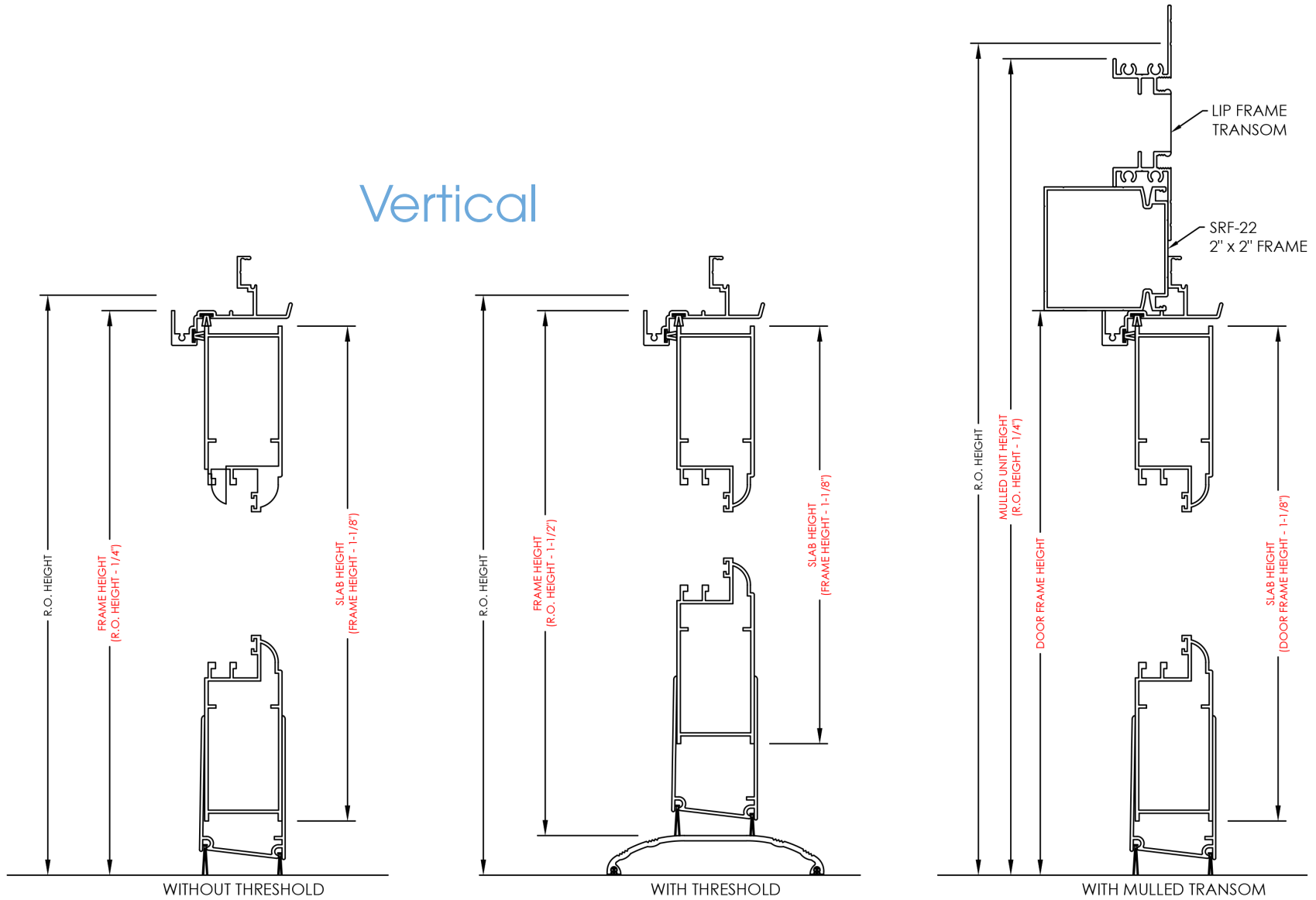
MAXIMUM = 42" W x 96" H

Horizontal



Single Door Sections

Vertical



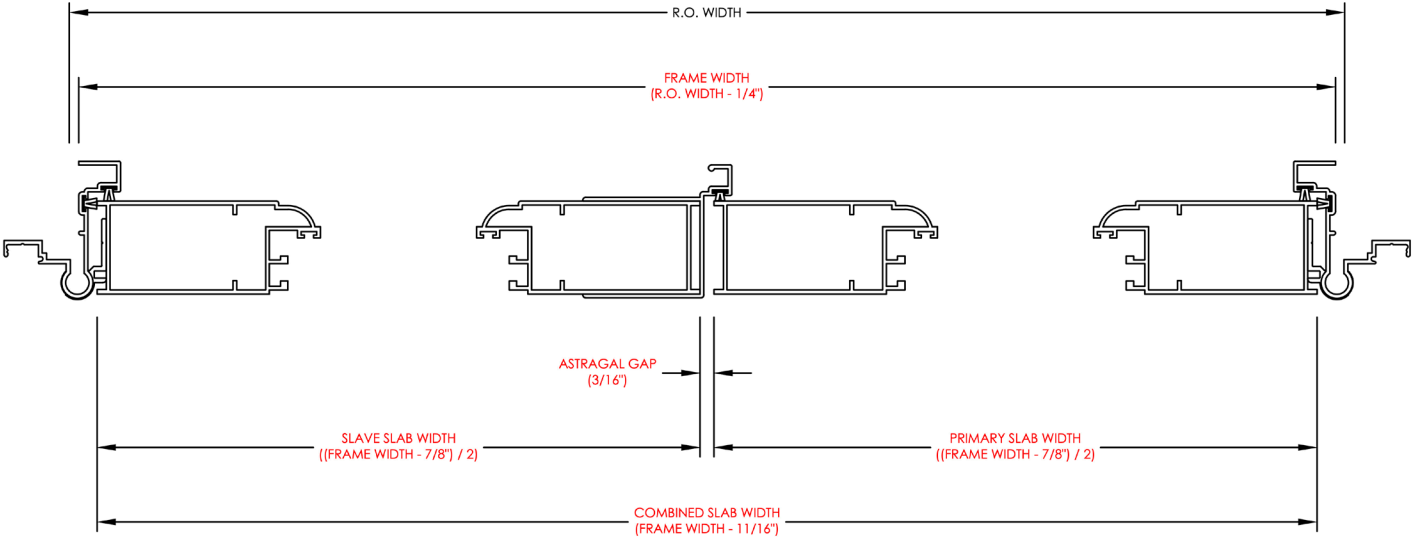
French Door Sections

ORDERED FRAME SIZE

MINIMUM = 60" W x 72" H

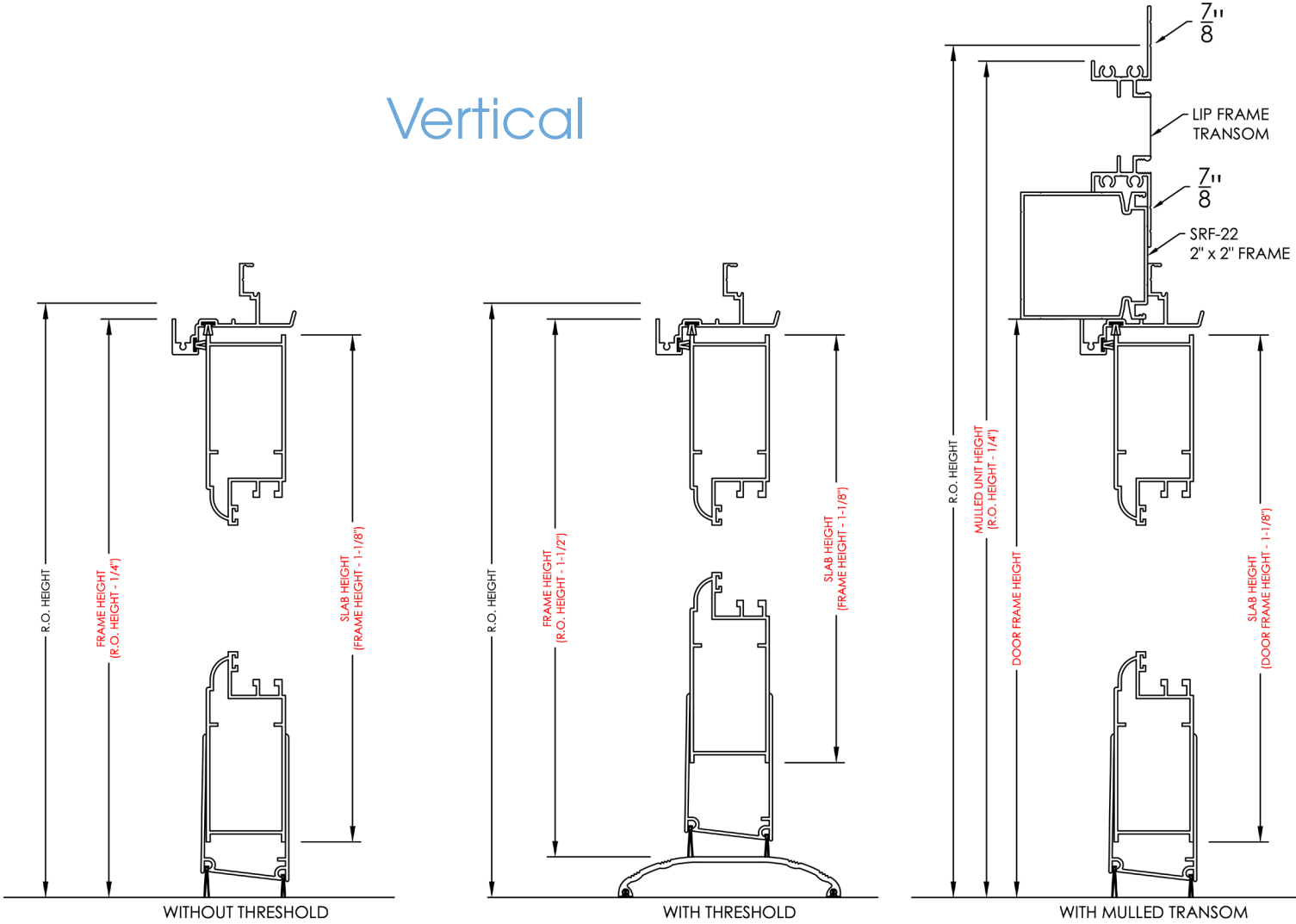
MAXIMUM = 84" W x 96" H

Horizontal



French Door Sections

Vertical



Profile Details

