

# SOJAG

produits saisonniers • seasonal products

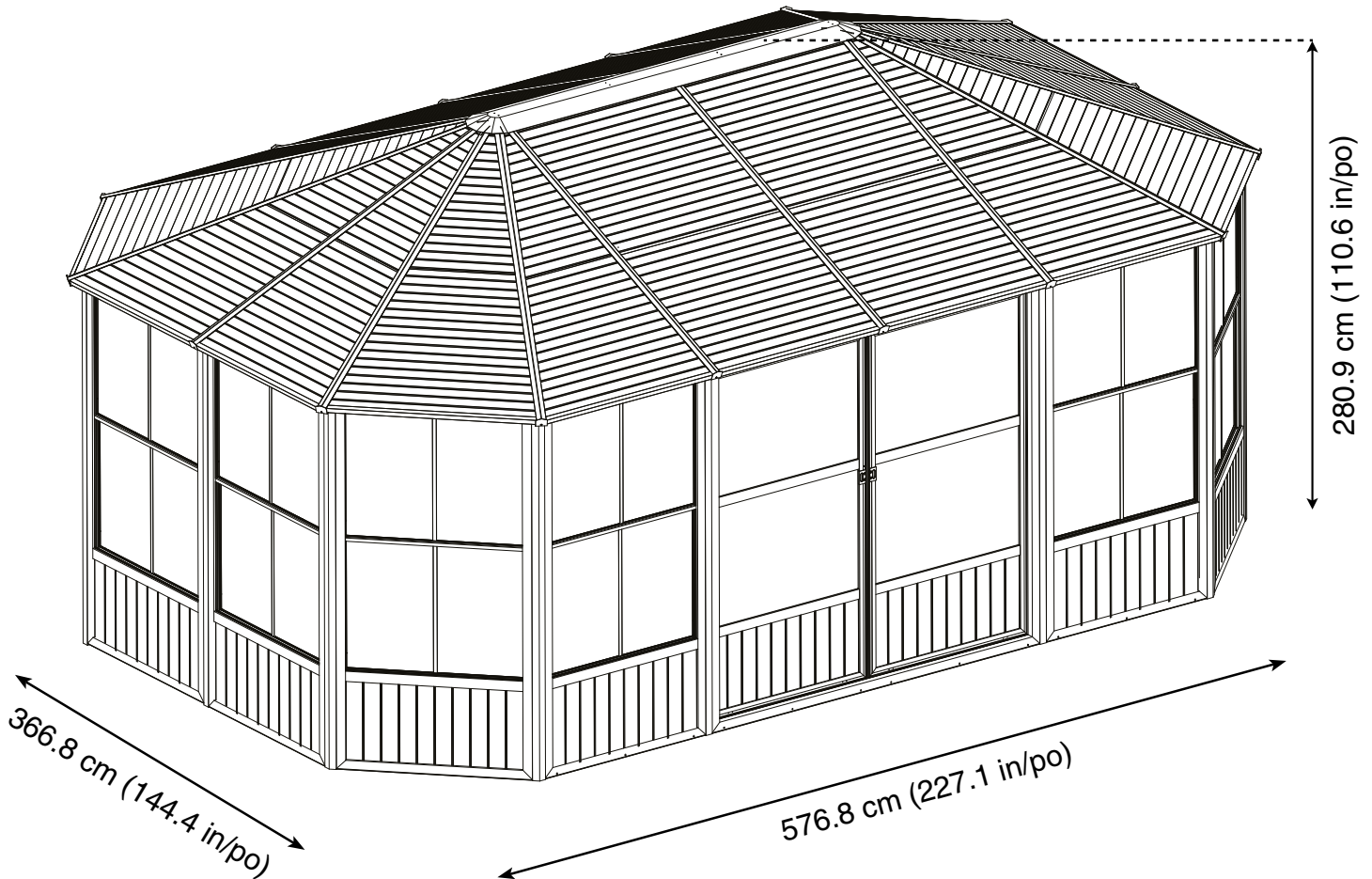


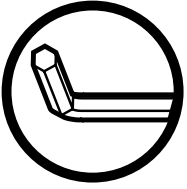
Sojag code: 448-9163018

CUP/UPC code: 772830163018

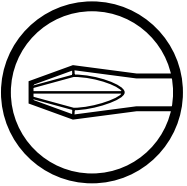
QUESTIONS? 1 866-901-1649

## Assembly Manual / Guide d'assemblage / Manual de ensamblaje / 조립설명서 / Montageanleitung





Use the hex keys in the box. / Utilisez les clés hexagonales fournies dans la boîte. /  
Utilice las llaves hexagonales en la caja. / 상자에 육각 키를 사용 하십시오. / Verwenden Sie  
die Sechskantschlüssel in der Box.



Please use a Phillips screwdriver. / Utilisez un tournevis de type Phillips / Por favor,  
use un destornillador Phillips. / 십자 드라이버를 사용 하십시오. / Bitte verwenden  
Sie einen Kreuzschraubenzieher.



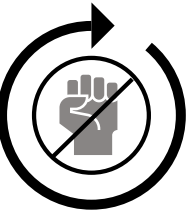
You may need to use a drill for this step. / Vous pouvez avoir besoin d'utiliser une  
perceuse pour cette étape. / Puede que tenga que utilizar un taladro para este paso. /  
이 단계에선 드릴을 사용해야 할 수도 있습니다. / Für diesen Schritt können Sie einen  
Bohrer verwenden.



Wearing protective gloves is recommended. / Le port de gants de protection est recommandé /  
El uso de guantes de protección se recomienda. / 보호 장갑을 착용 하는 것이 좋습니다. /  
Das Tragen von Schutzhandschuhen wird empfohlen.



Two or more people are required at this stage. / Deux personnes ou plus sont nécessaires à cette  
étape. / Dos o más personas se requieren en esta etapa. / 이 단계에서는 두 명 이상 이 필요합니다. /  
Für diesen Bauschritt sind 2 oder mehr Personen erforderlich.

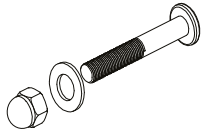


Do not tighten screws all the way for now. / Ne pas visser fermement pour l'instant. /  
No atornille con firmeza por ahora. / 아직 나사를 단단히 조이지 마십시오. / Bitte die  
Schrauben zum jetzigen Zeitpunkt noch nicht fest anziehen.

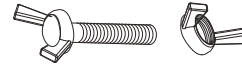


Sold separately. / Vendus séparément. / vendido en las opciones. /  
옵션 판매 / Optional erhältlich

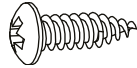
**B6** X 8 (+2)



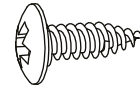
**R** X 2 (+1)



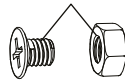
**S** X 64 (+6)



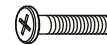
**S1** X 16 (+2)



**T** X 40 (+6)



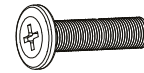
**U** X 80 (+8)



**V** X 70 (+7)



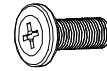
**V1** X 4 (+1)



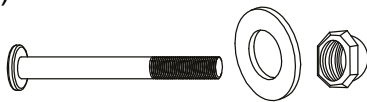
**V2** X 8 (+2)



**V3** X 2 (+1)



**W** X 12 (+2)



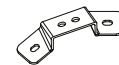
**X** X 12 (+2)



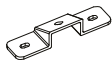
**Y** X 3 (+1)



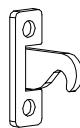
**Z1** X 8



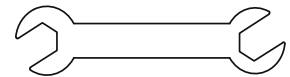
**Z2** X 8

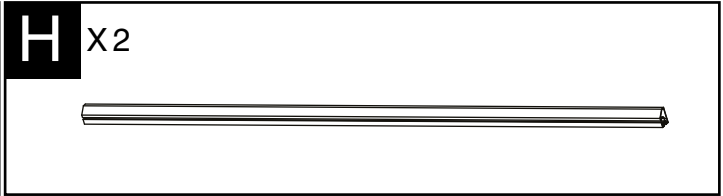
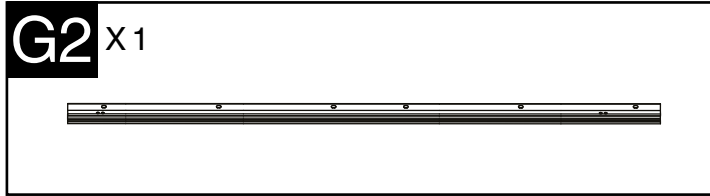
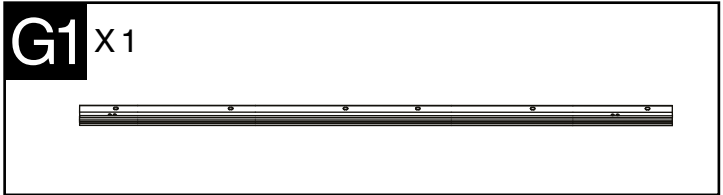
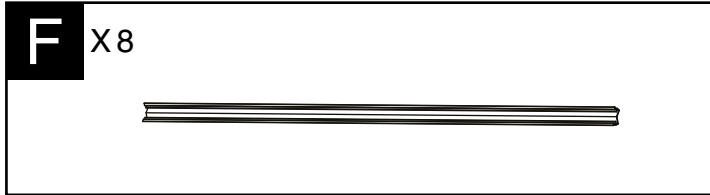
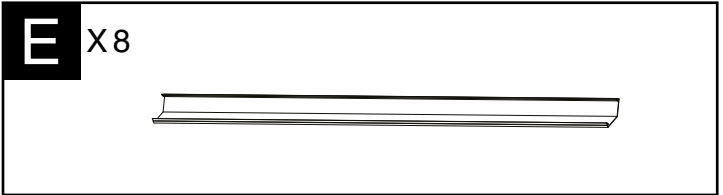
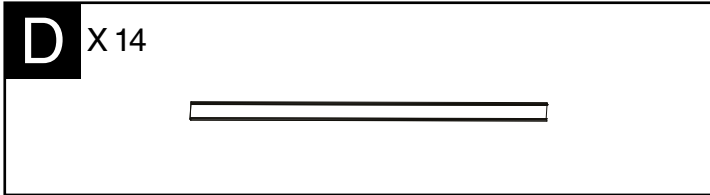
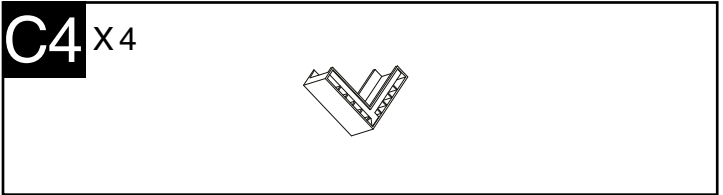
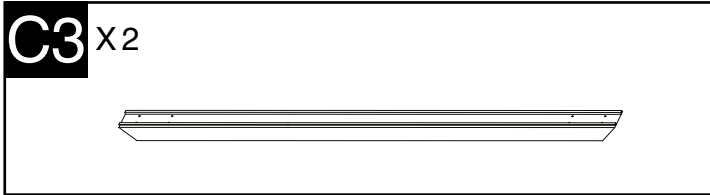
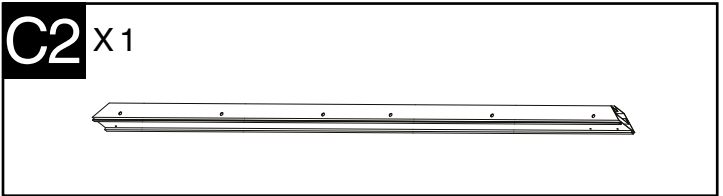
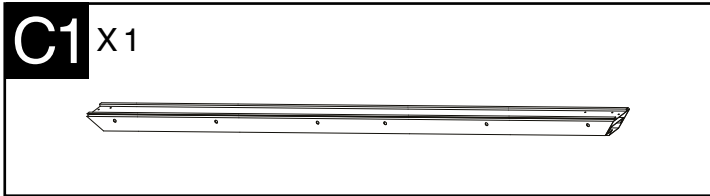
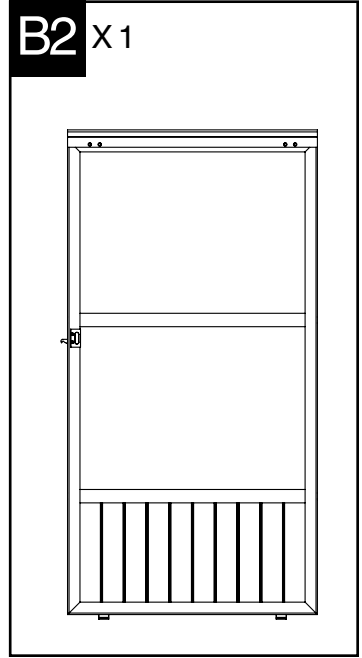
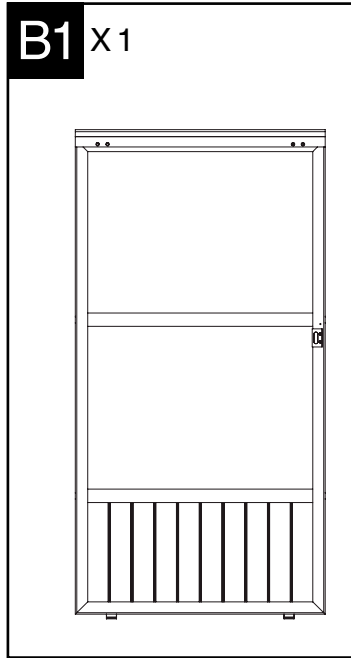
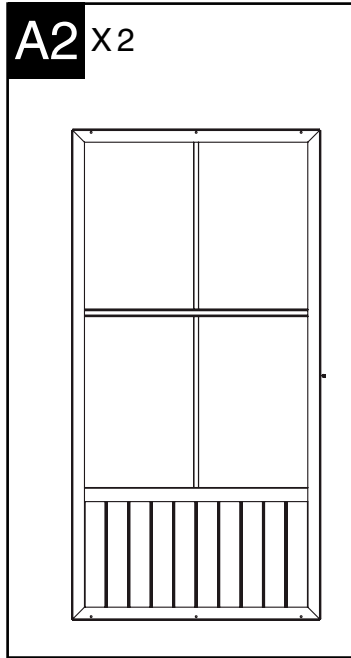
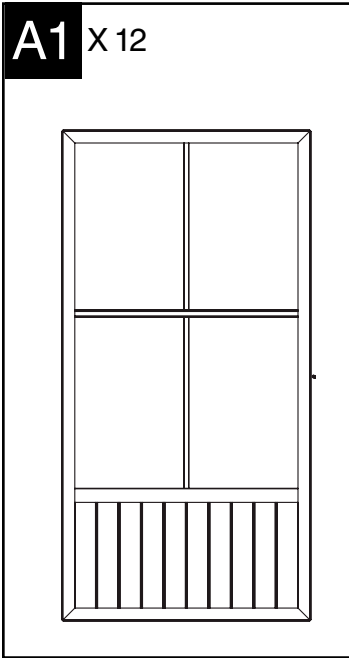




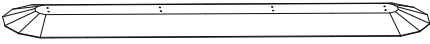


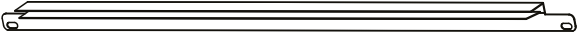

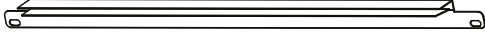








**Z3** X 1

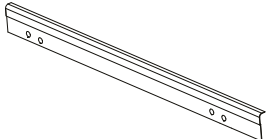


**Z4** X 1





<b>I</b> X4 	<b>J</b> X1 
<b>K</b> X1 	<b>L1</b> X8 
<b>L2</b> X8 	<b>M</b> X8 
<b>M1</b> X4 	<b>M2</b> X4 
<b>N</b> X8 	<b>N1</b> X4 
<b>N2</b> X4 	<b>P</b> X8 
<b>P1</b> X4 	<b>P2</b> X4 
<b>O</b> X8 	<b>O1</b> X8 

<b>B7</b> X2 
---

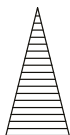
**B5** x4



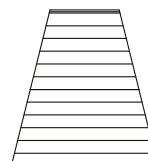
**Q** x16



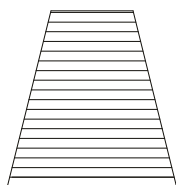
**Qa** x4



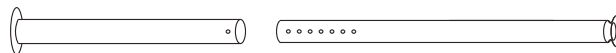
**Qb** x4



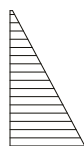
**Qc** x4



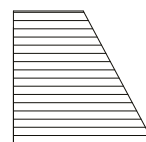
**R1** x2



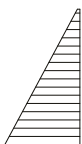
**Ra** x4



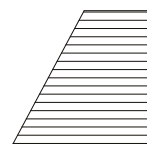
**Rb** x4



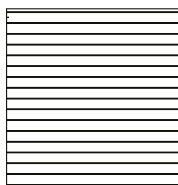
**R1a** x4



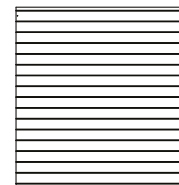
**R1b** x4



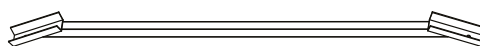
**Sa** x4

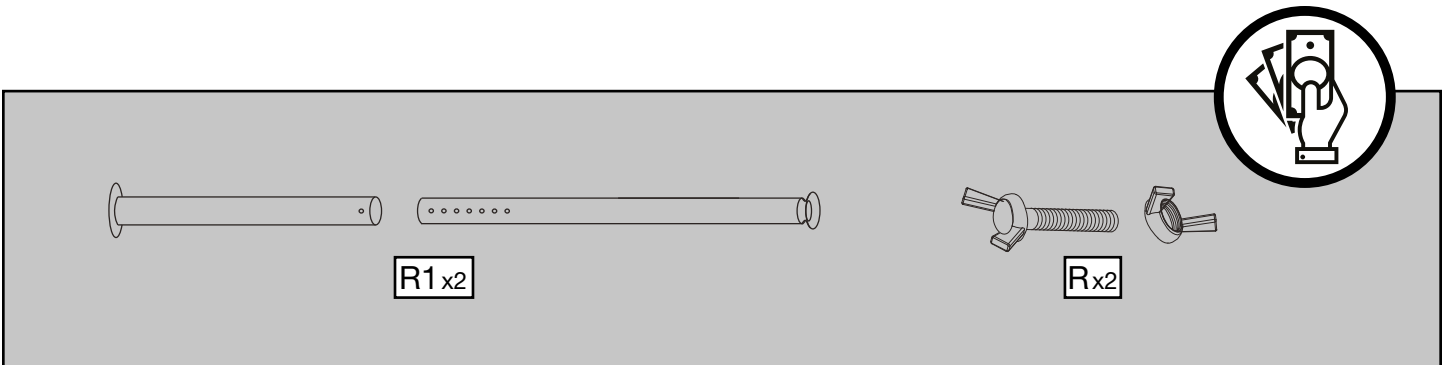
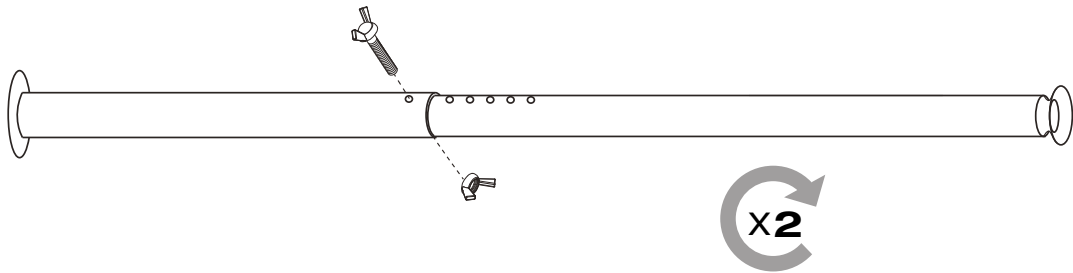
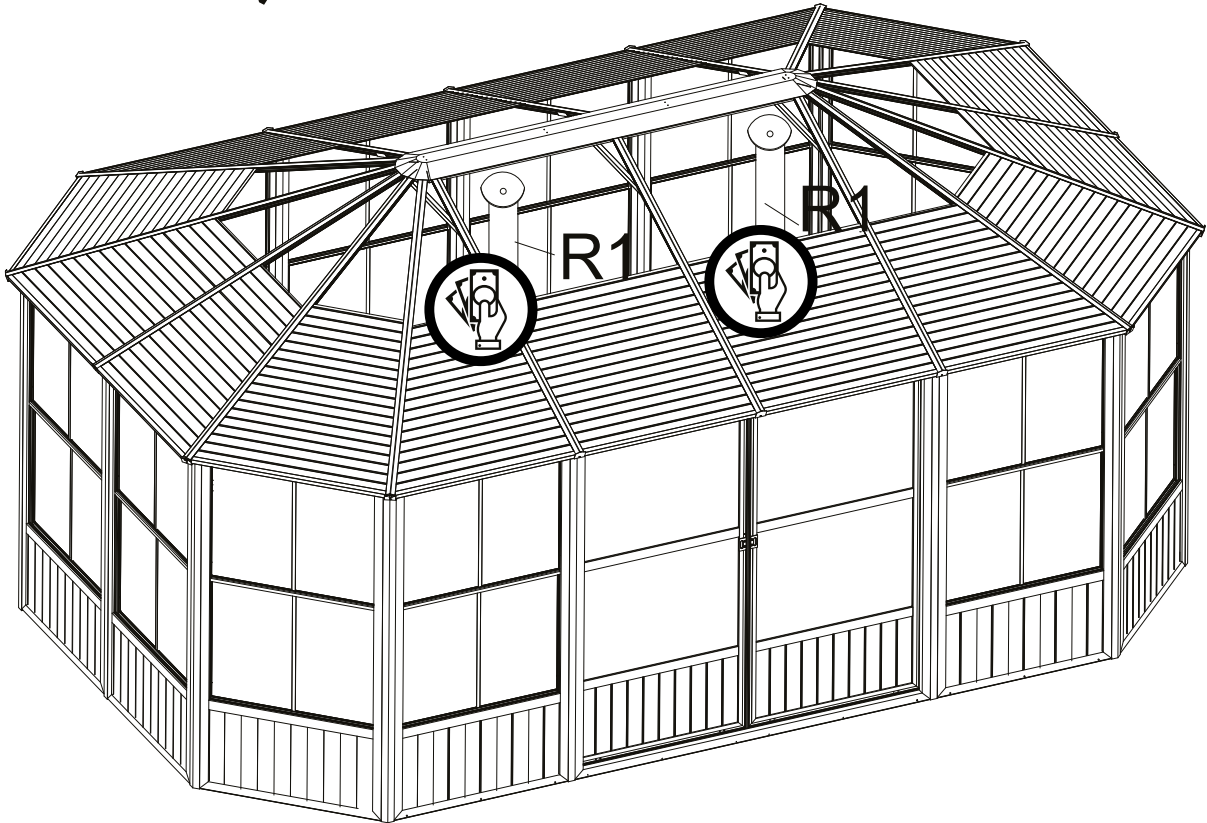
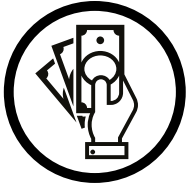


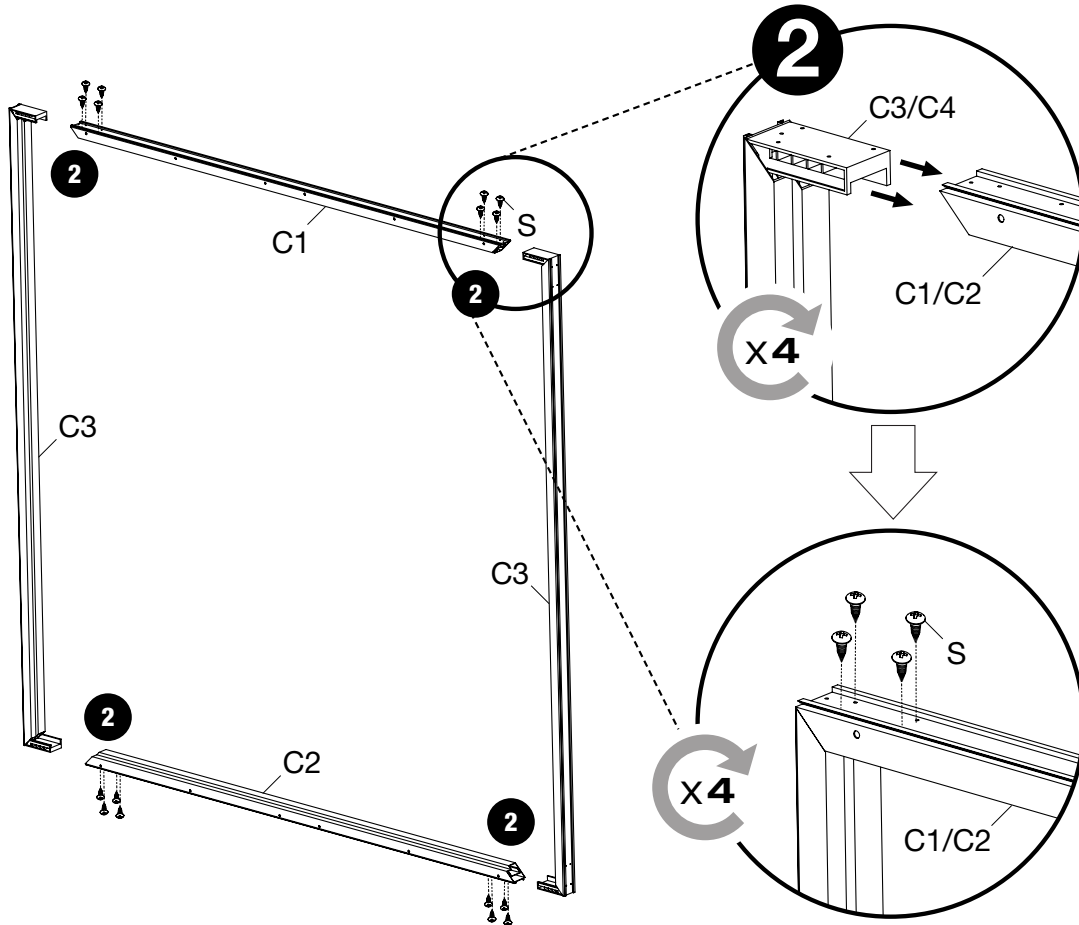
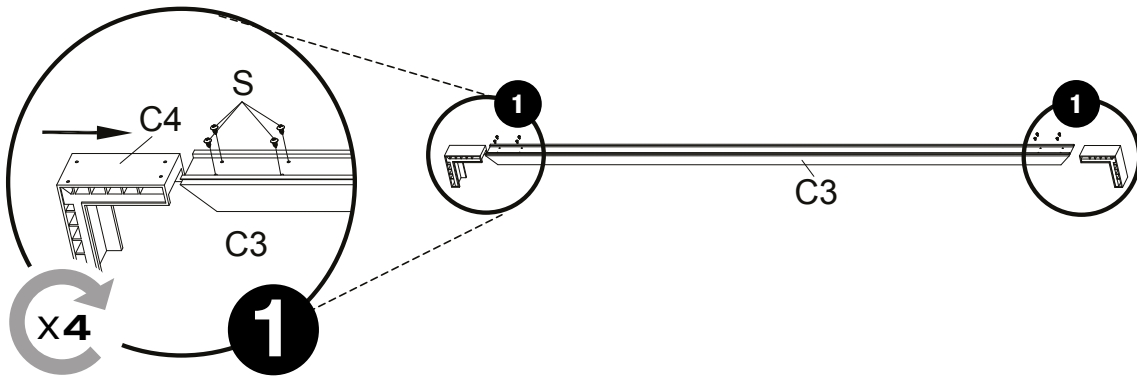
**Sb** x4



**Z** x3







C1x1

C2x1

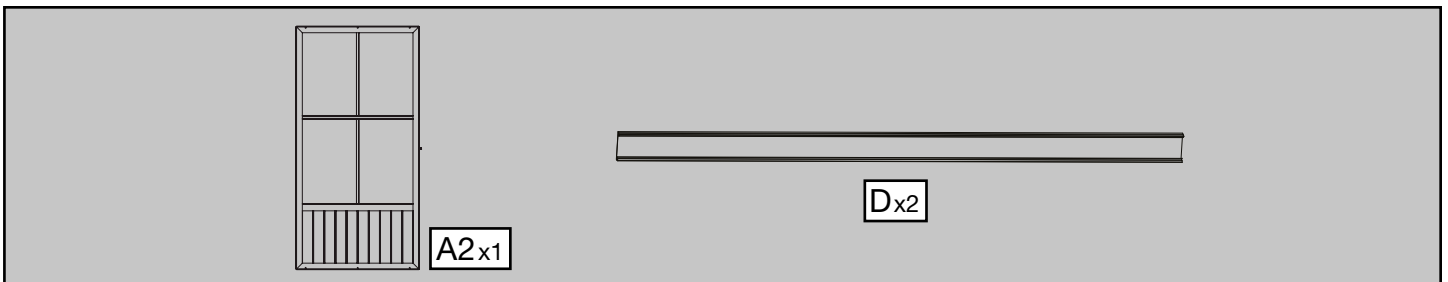
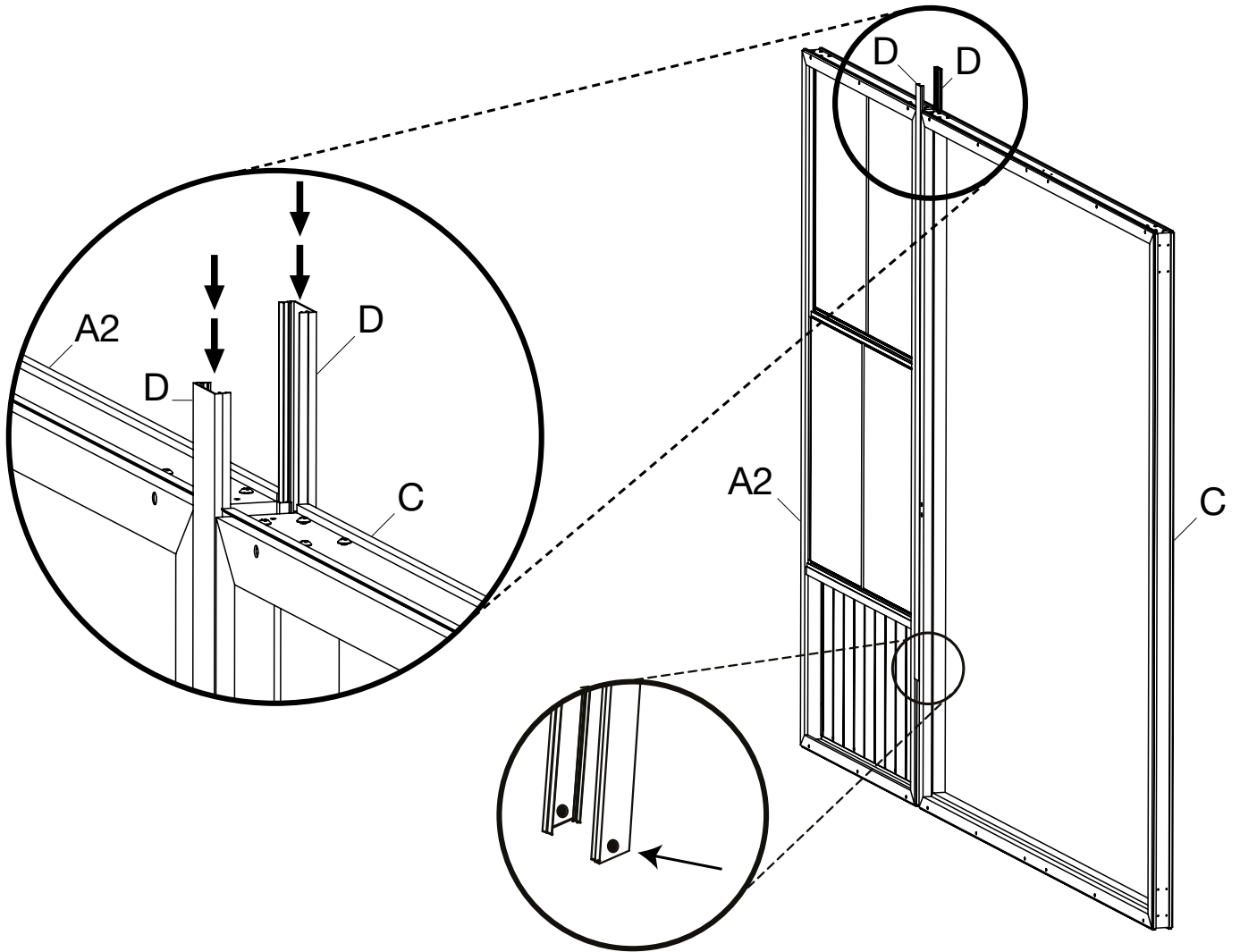
C3x2

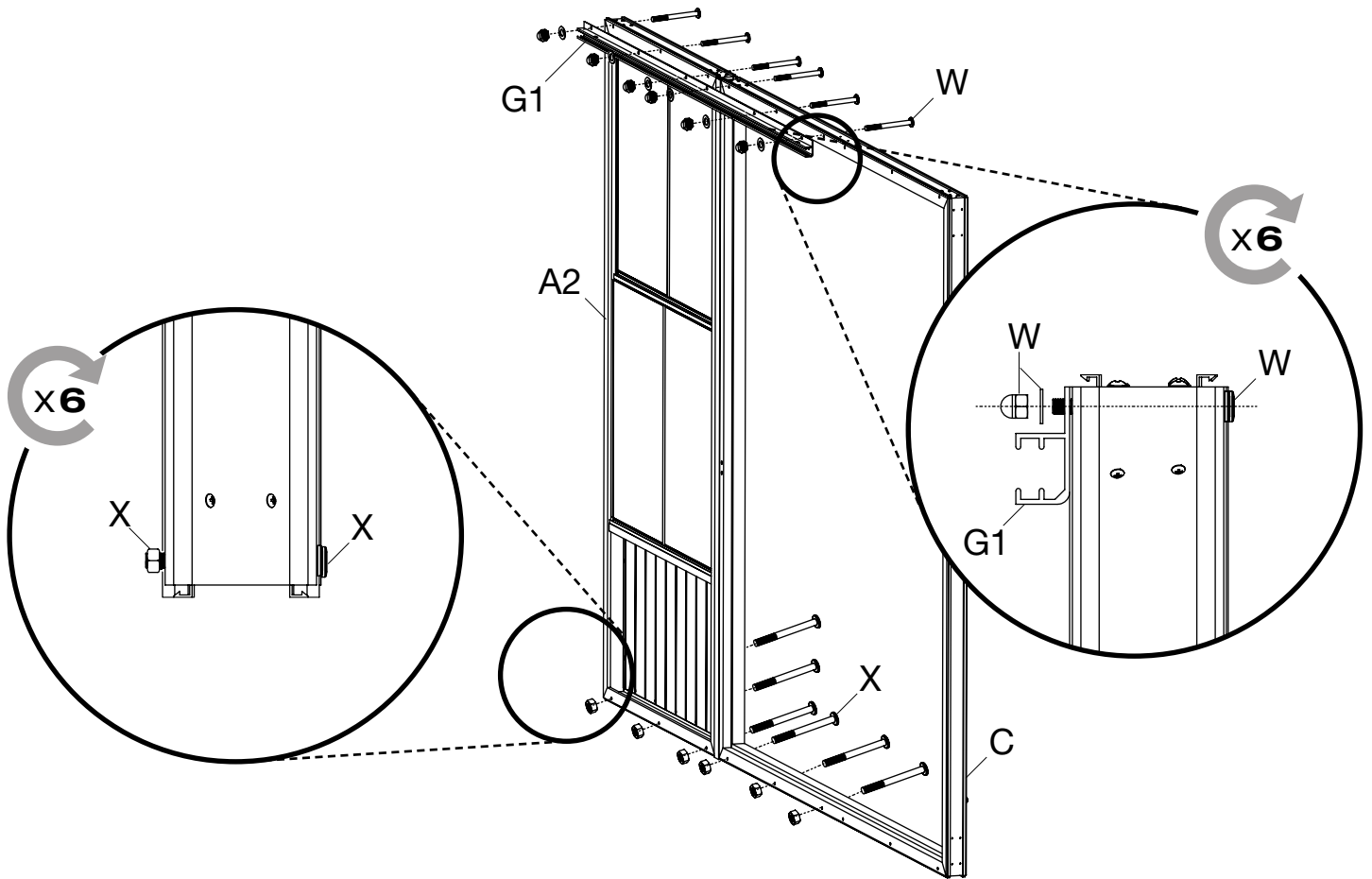
C4x4

Sx32

2+





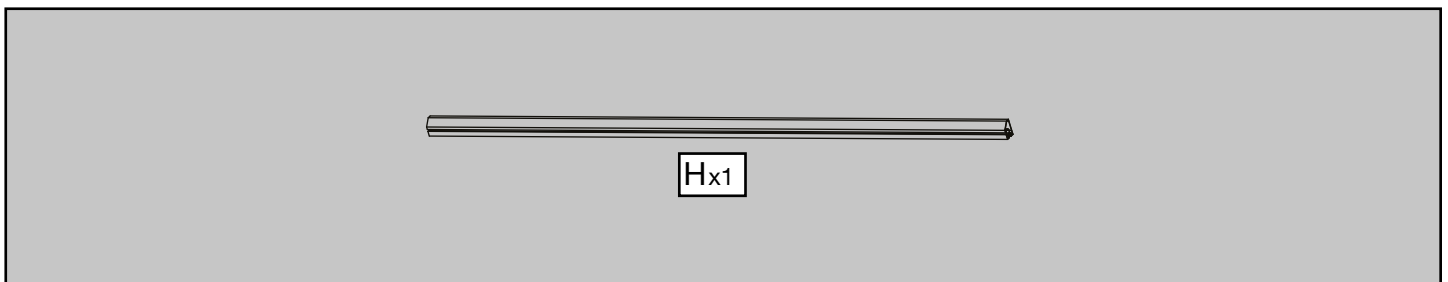
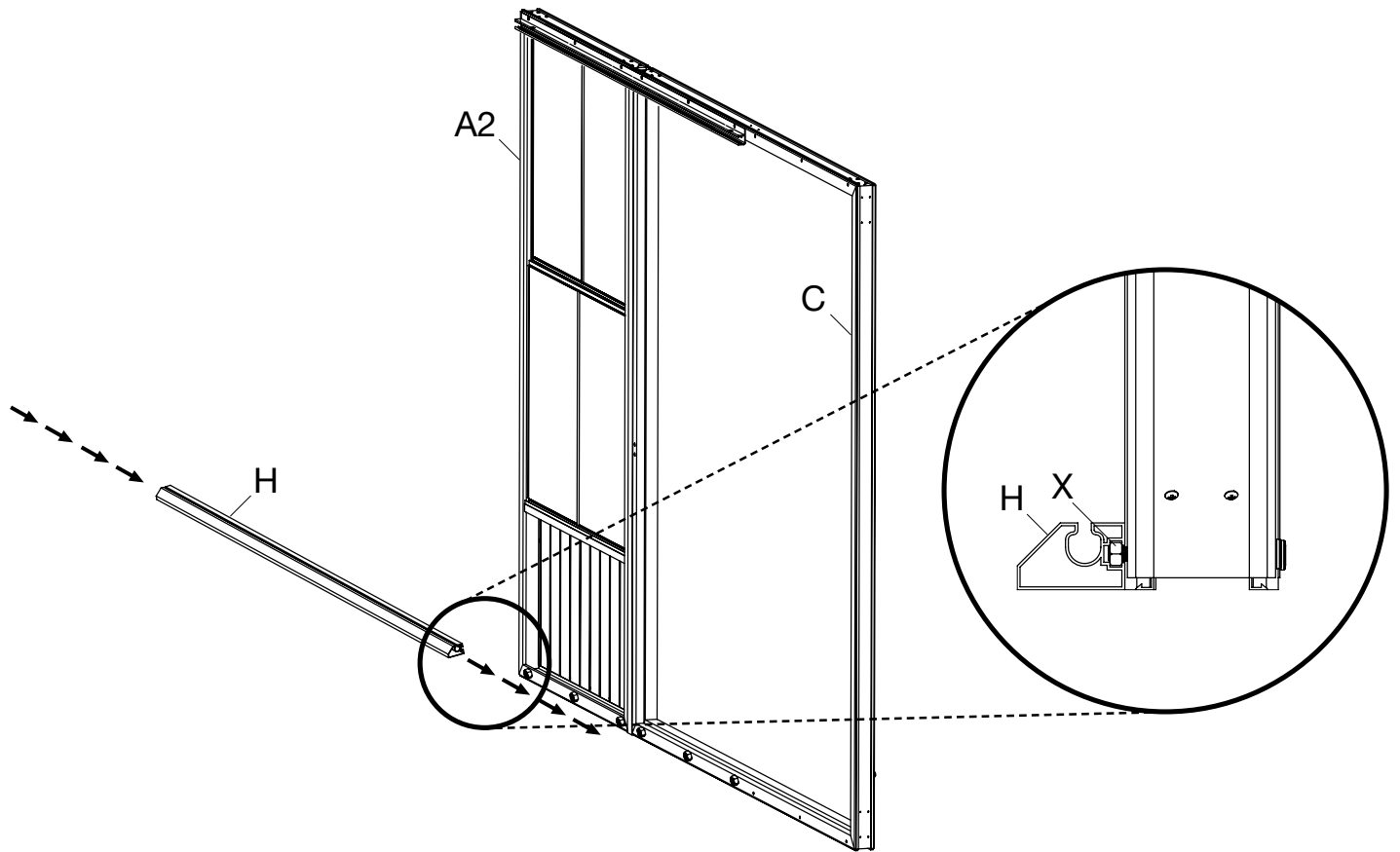


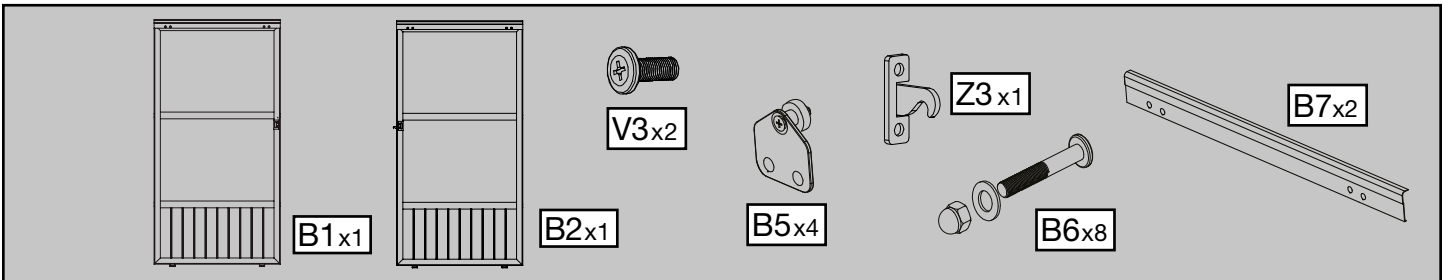
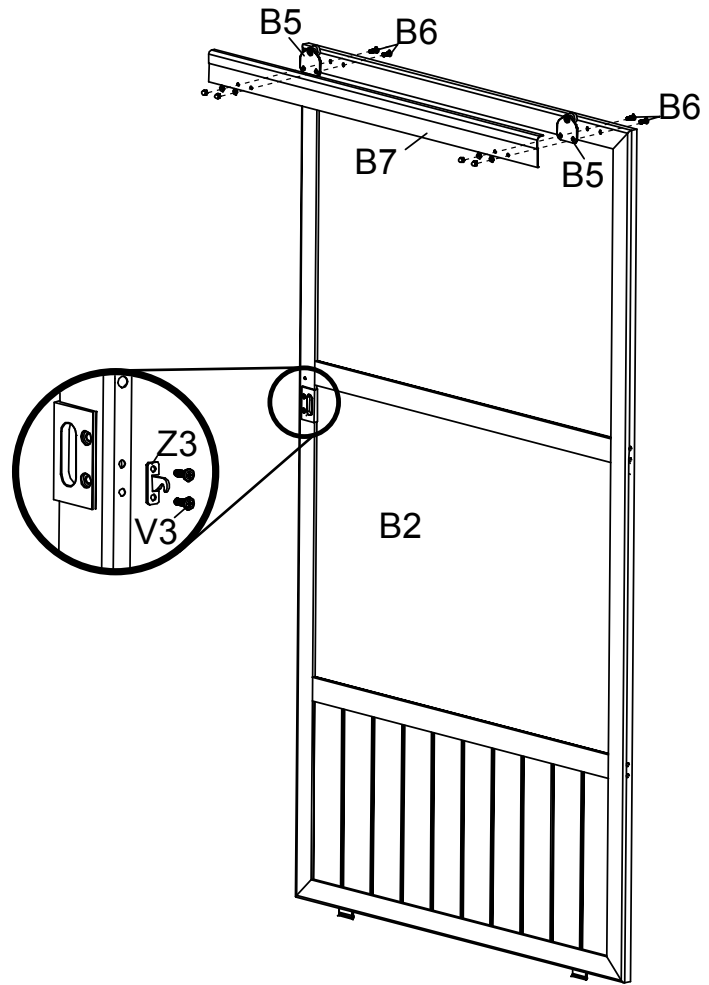
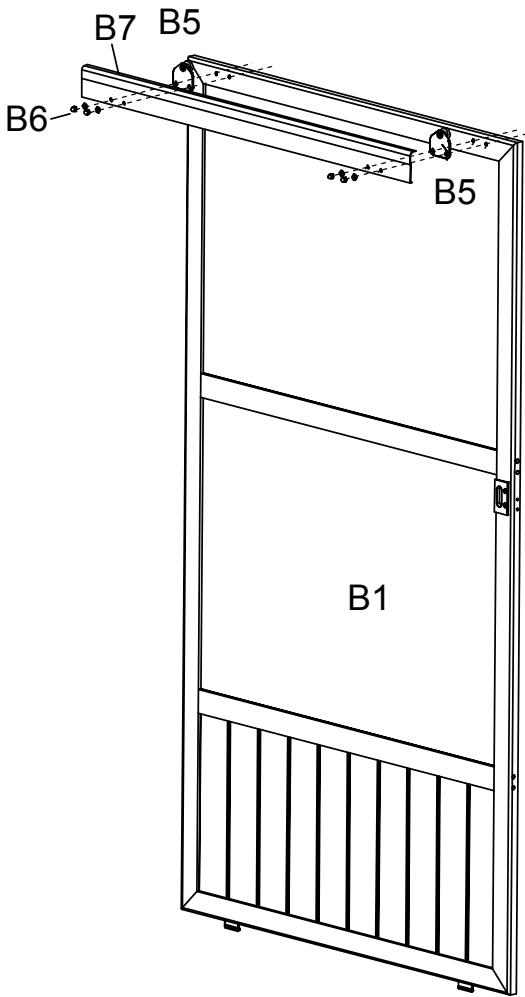
This section contains a parts list and safety icons. The parts list includes:

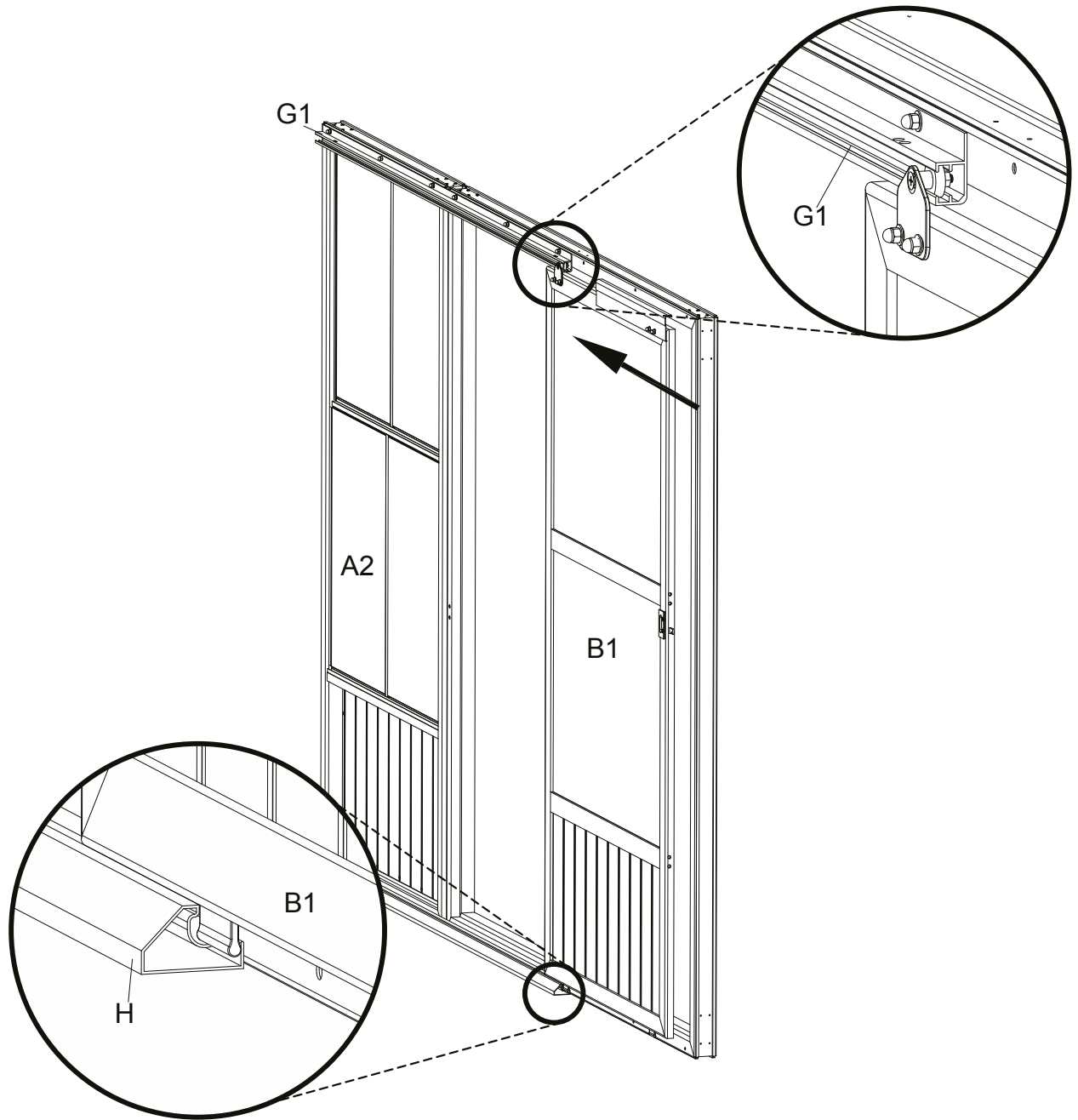
- A long horizontal rail labeled G1x1.
- A screw labeled Wx6.
- A screw labeled Xx6.

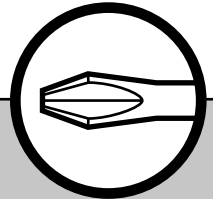
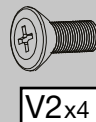
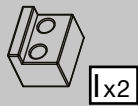
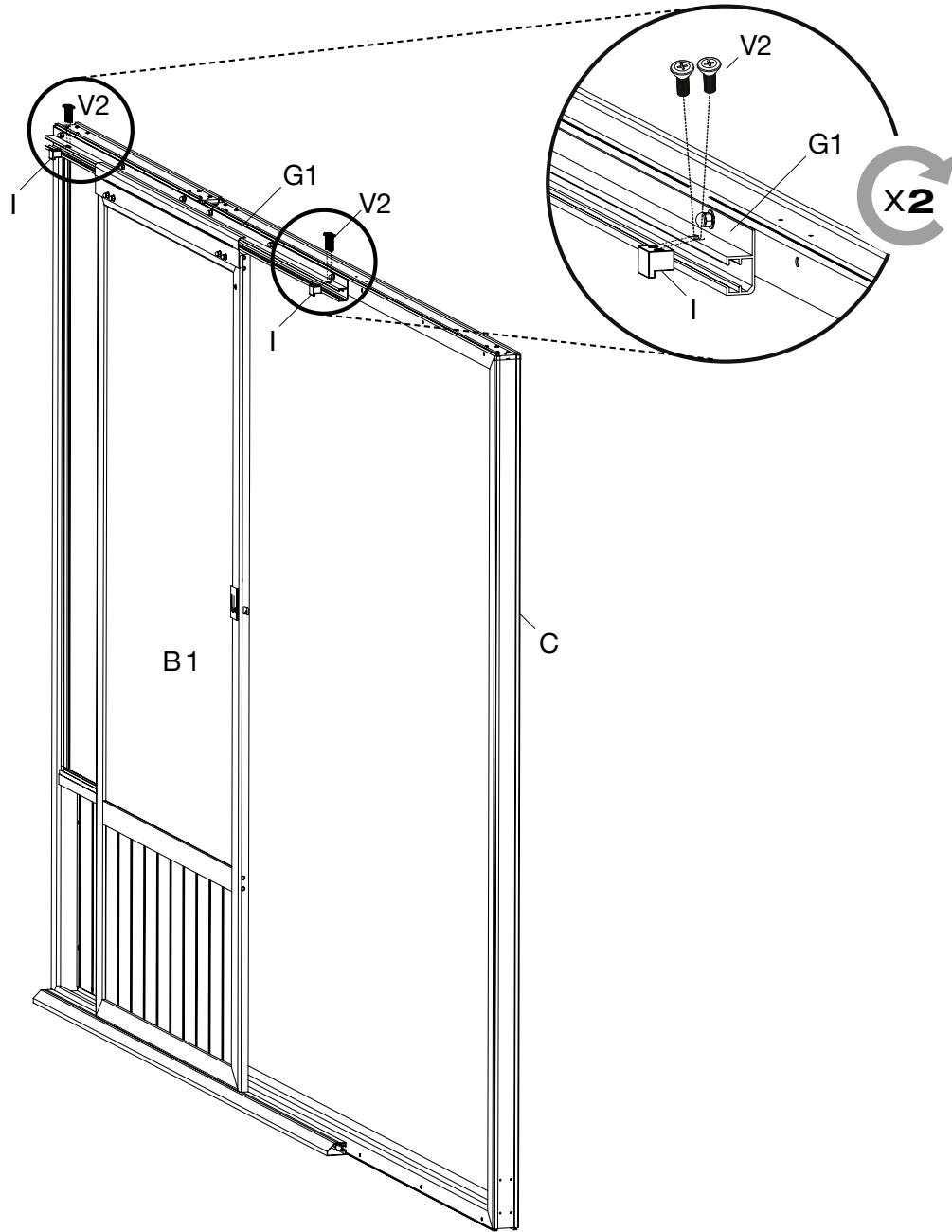
The safety icons include:

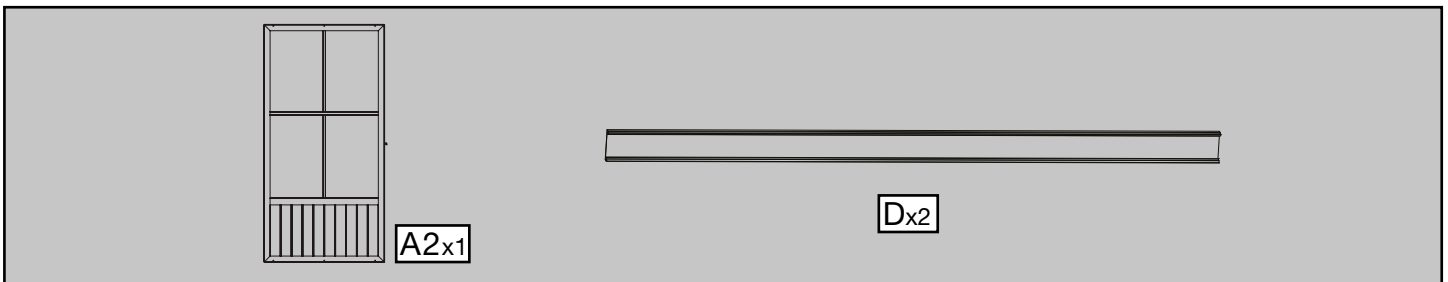
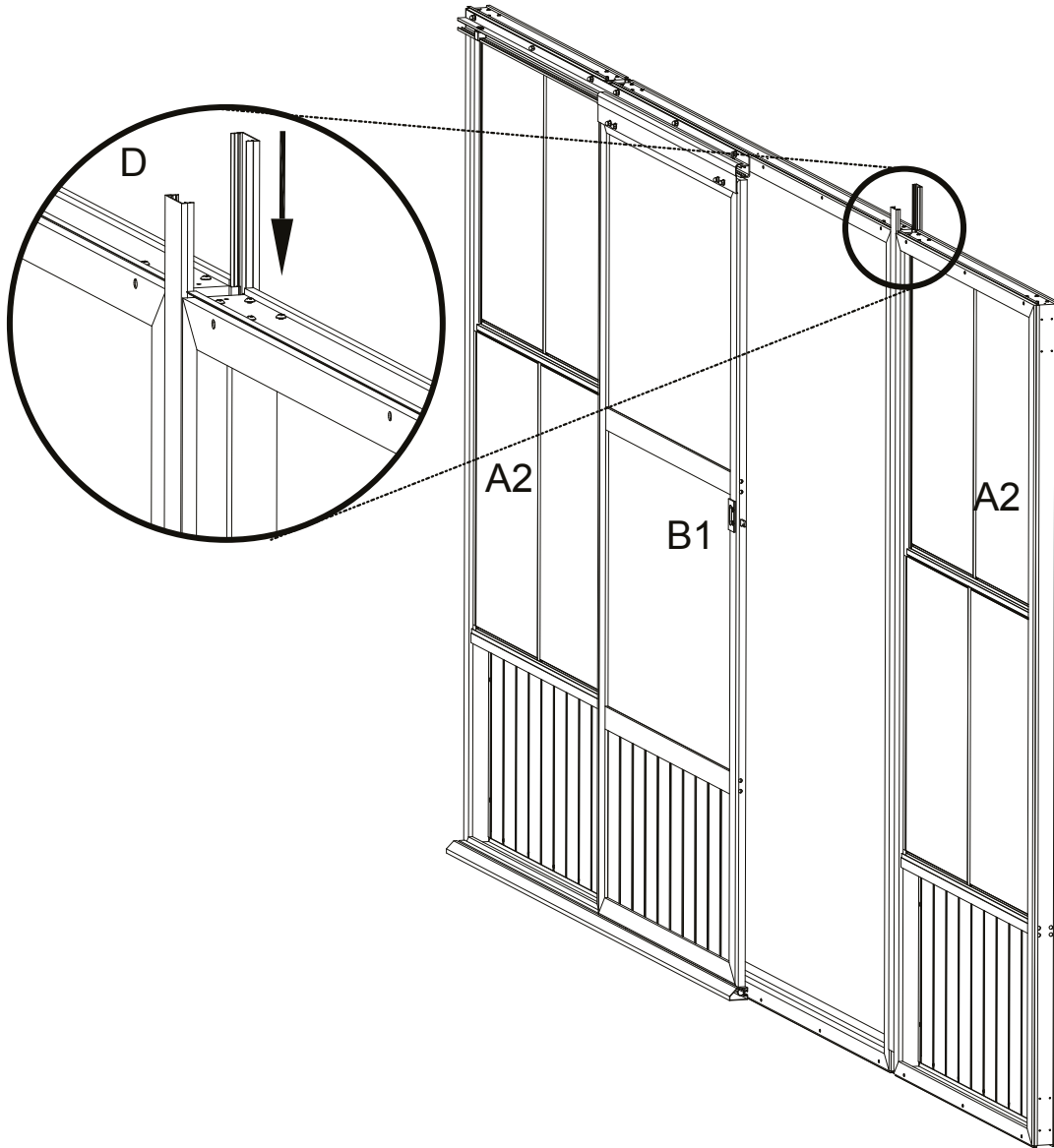
- A circular icon with two people and the text '2+', indicating that two people are required for this step.
- A circular icon with a hand and a diagonal line through it, indicating that force should not be applied.

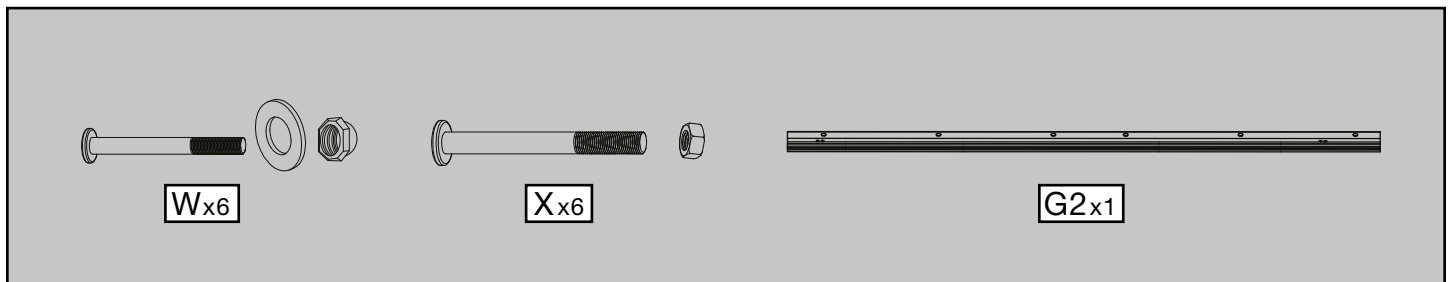
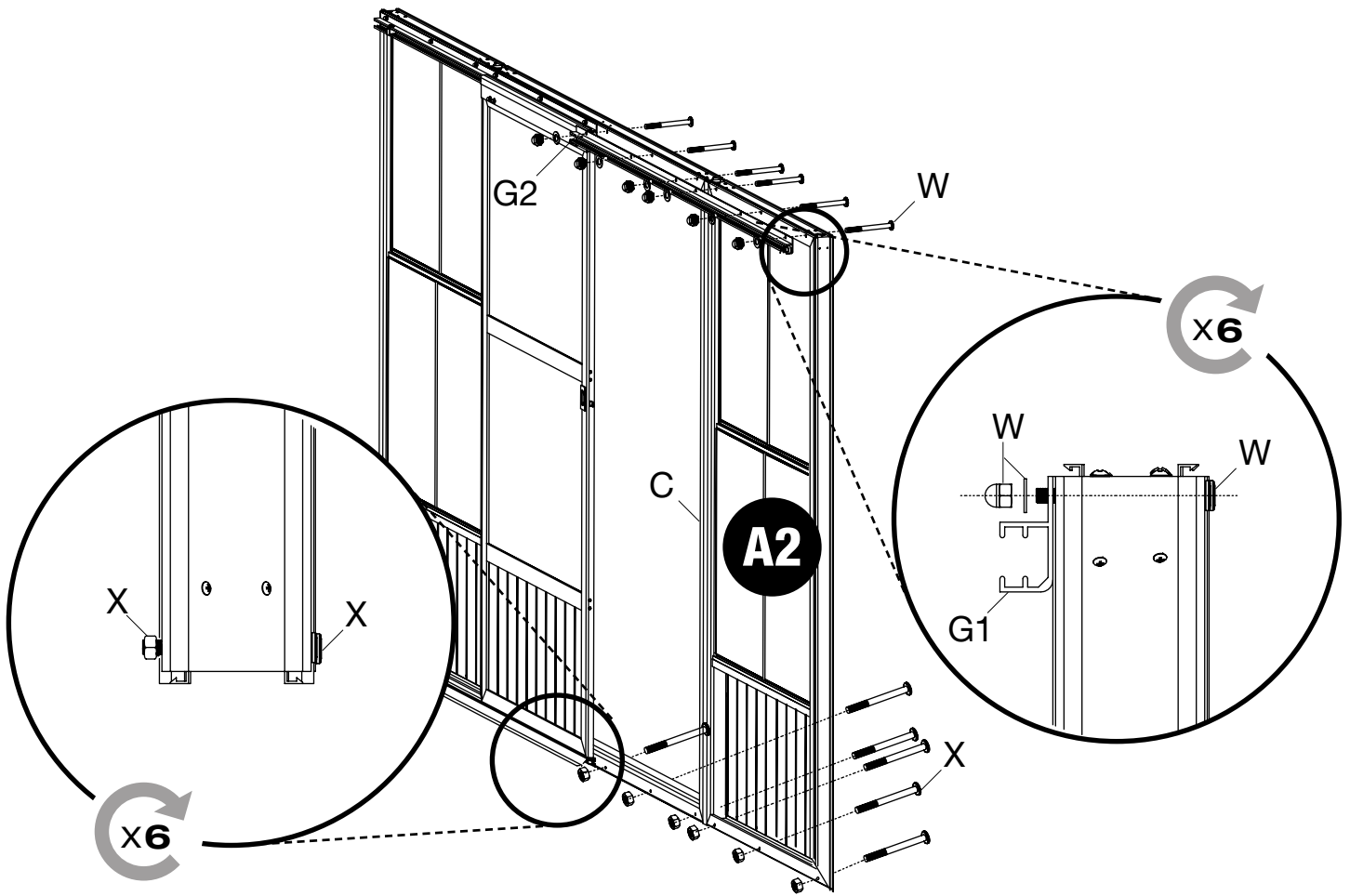




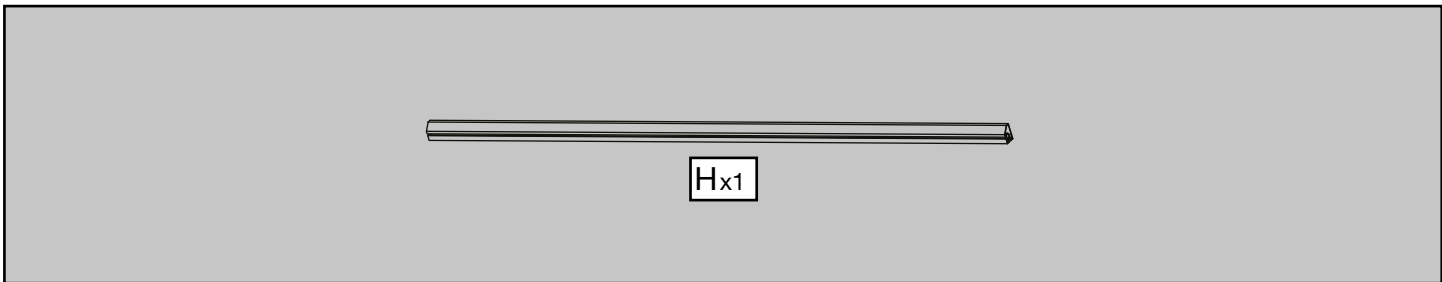
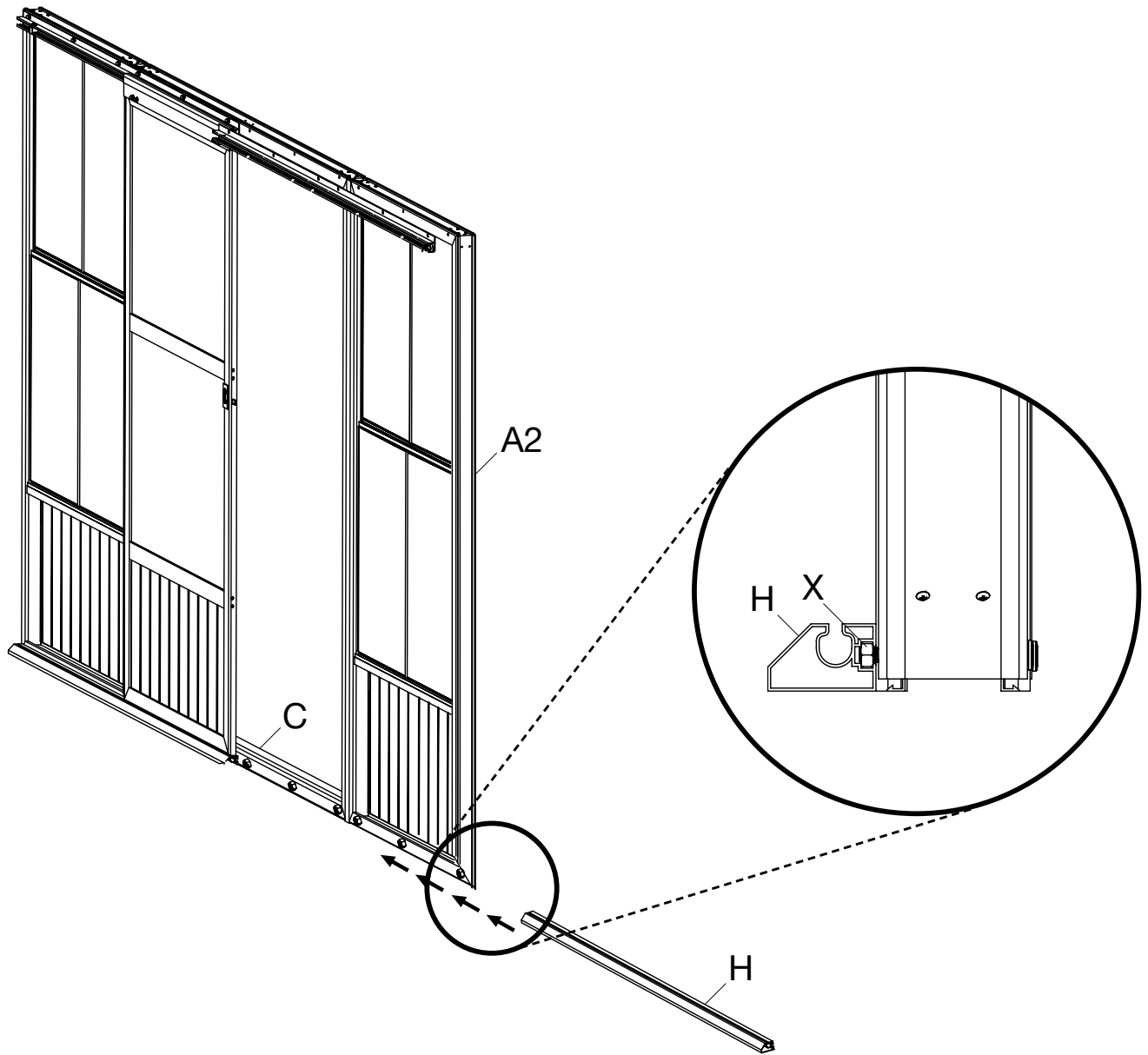


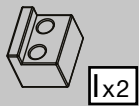
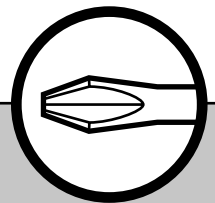
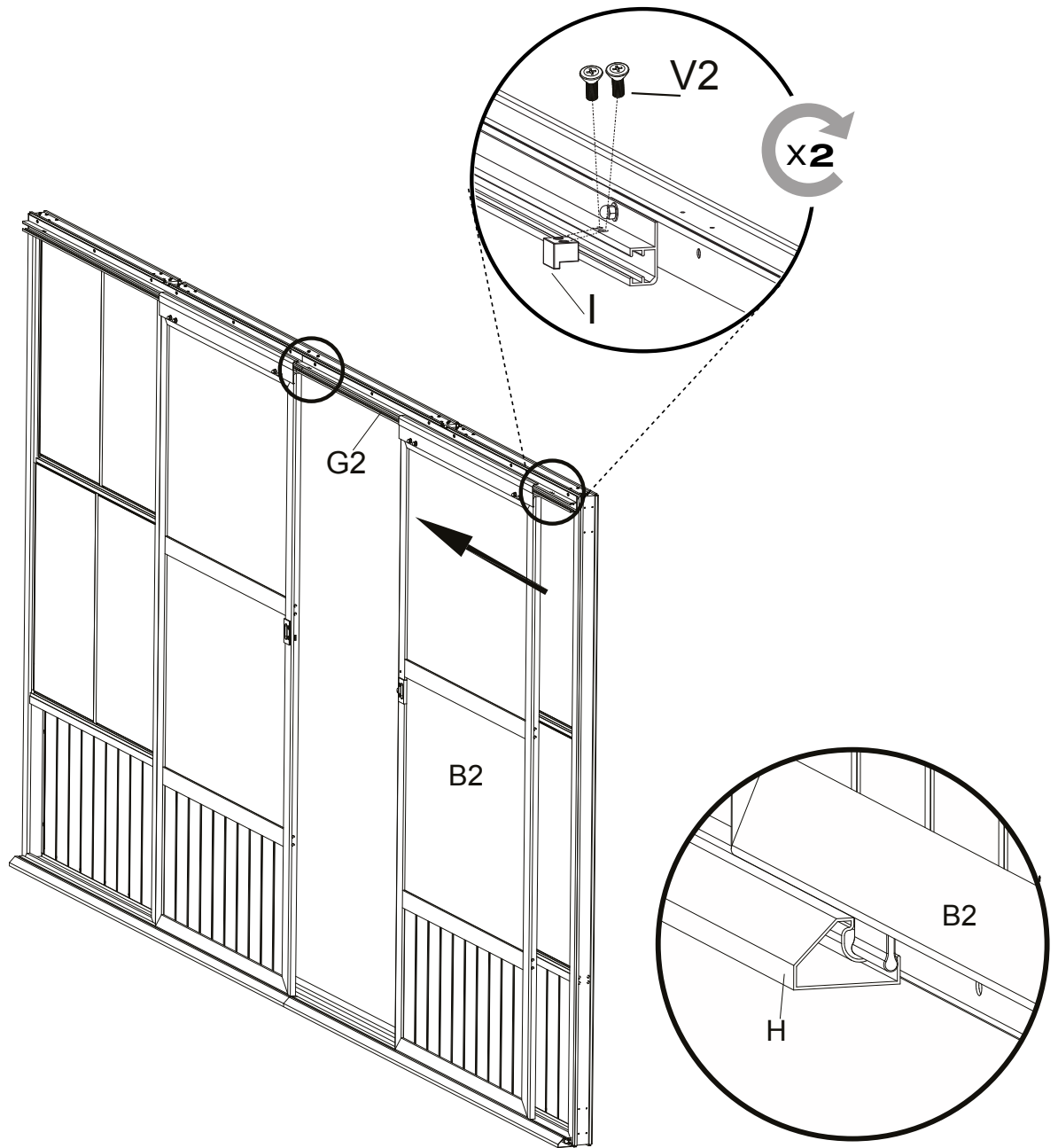


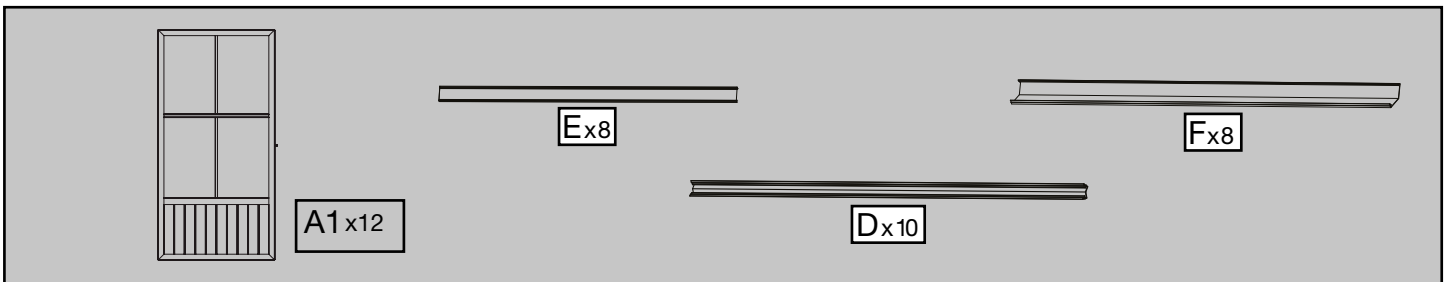
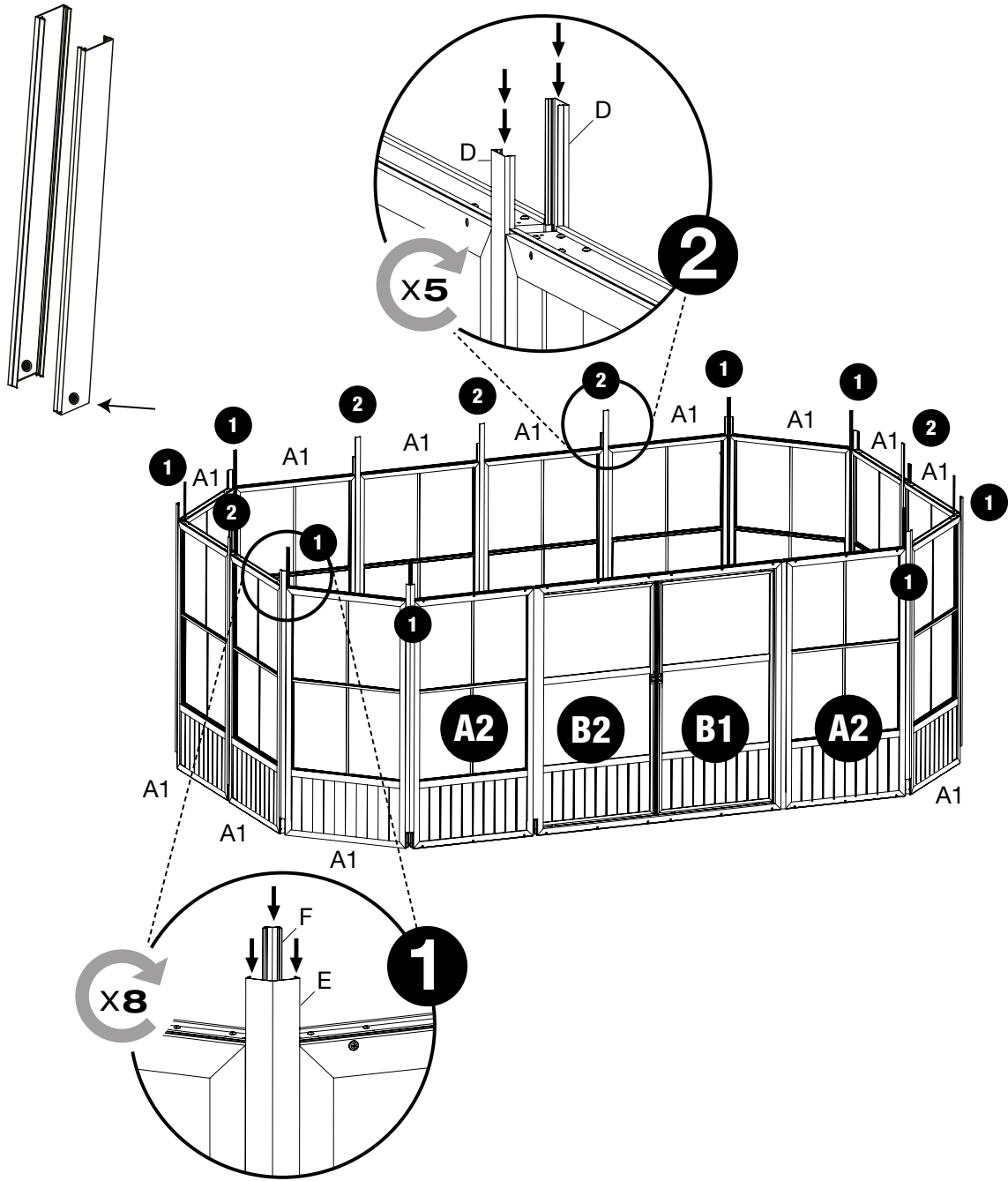


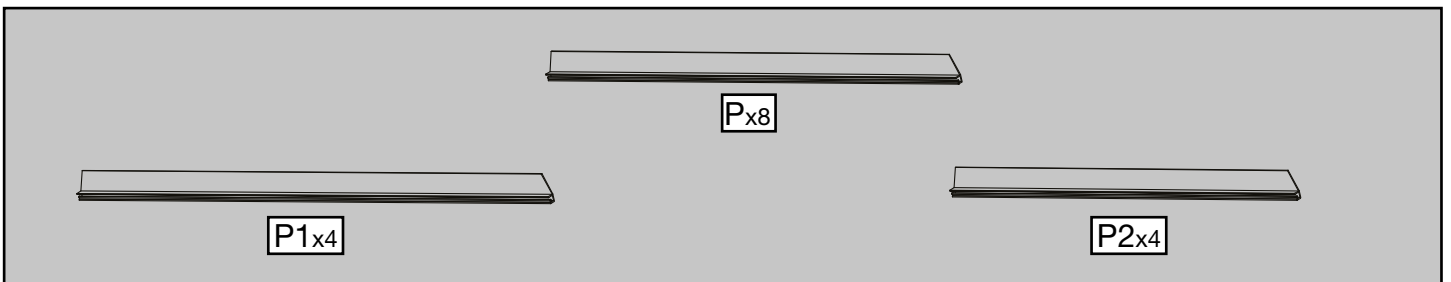
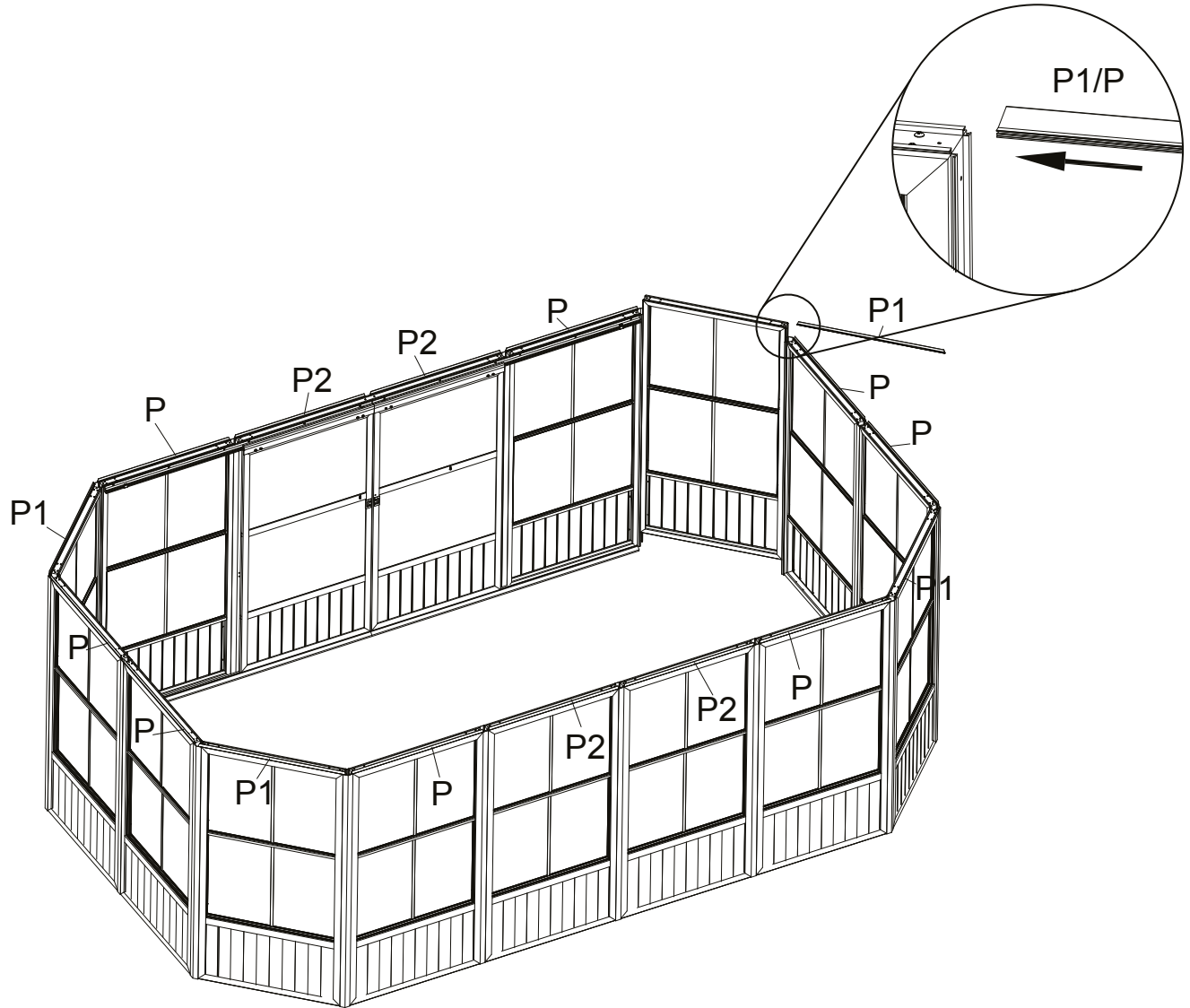


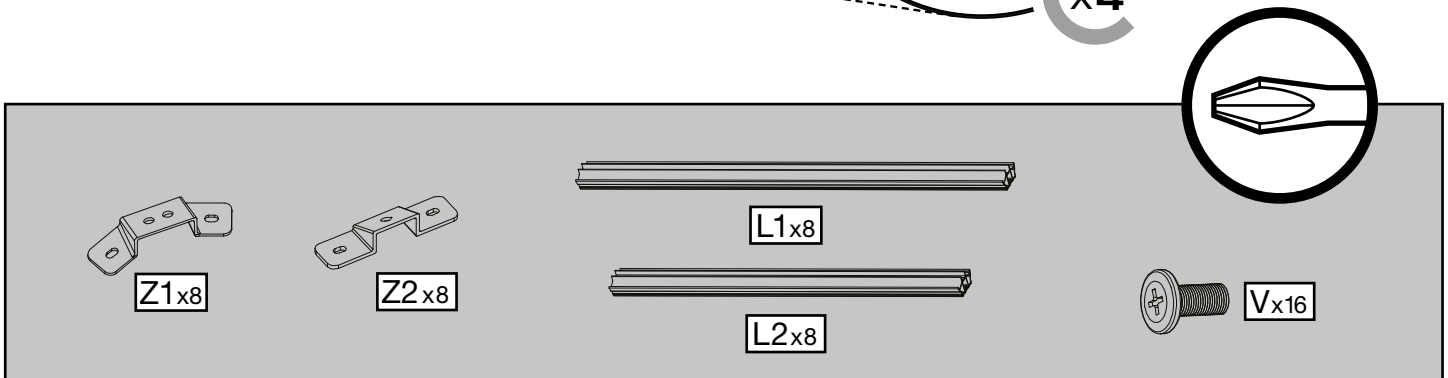
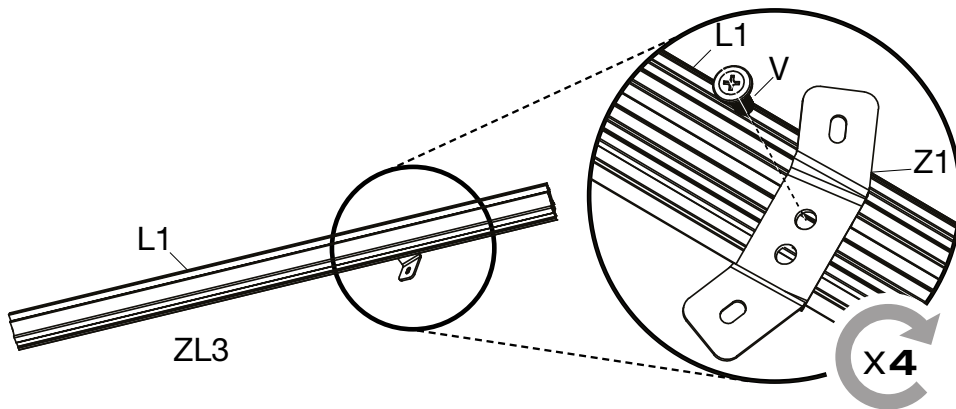
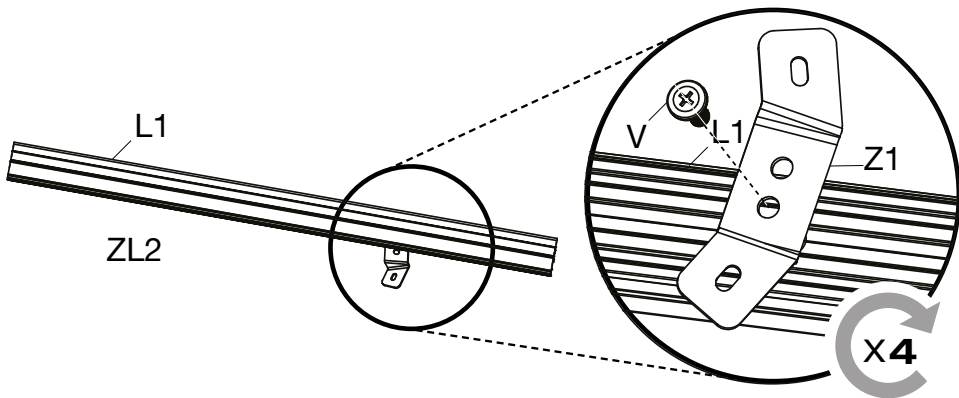
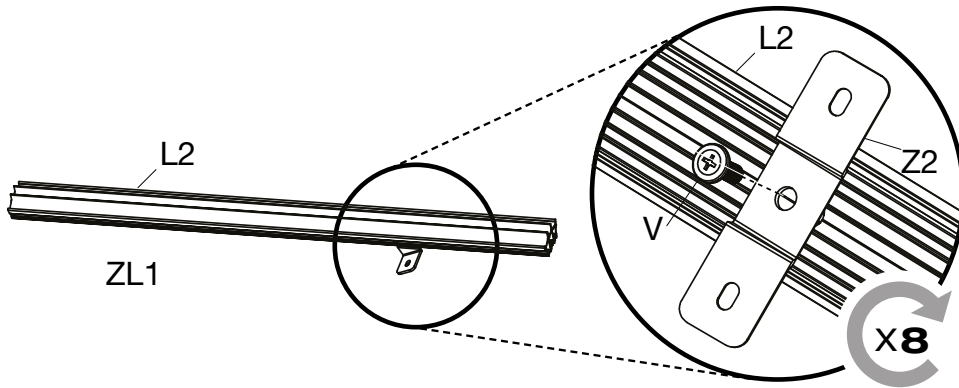


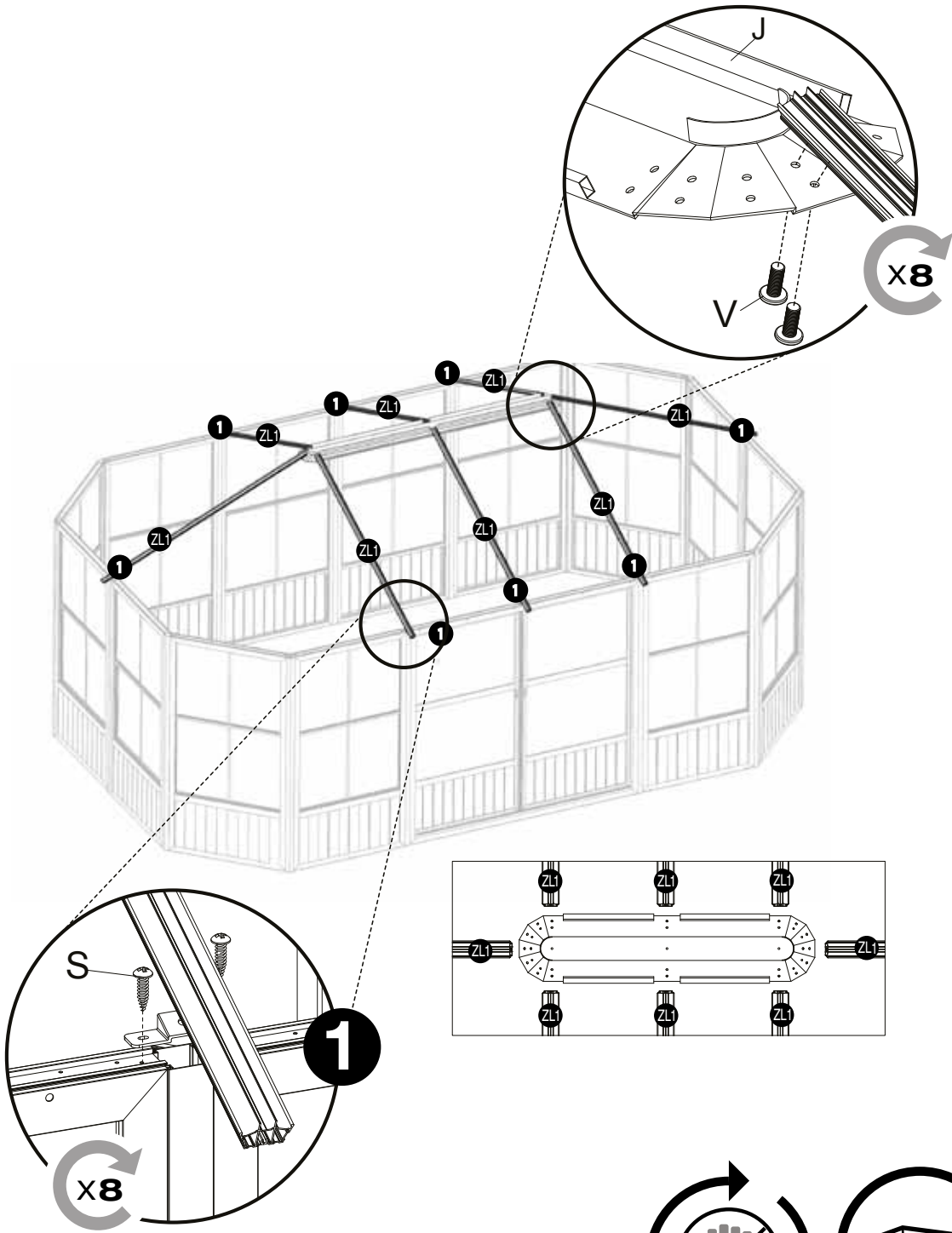




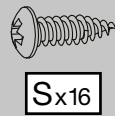
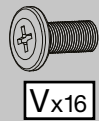
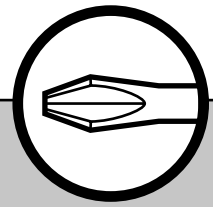
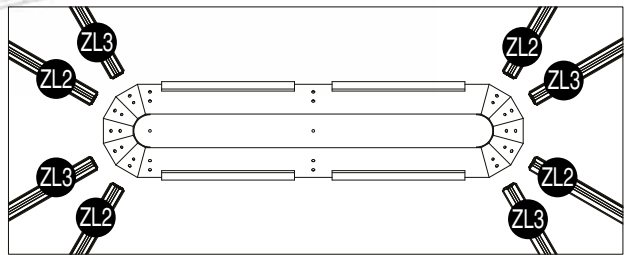
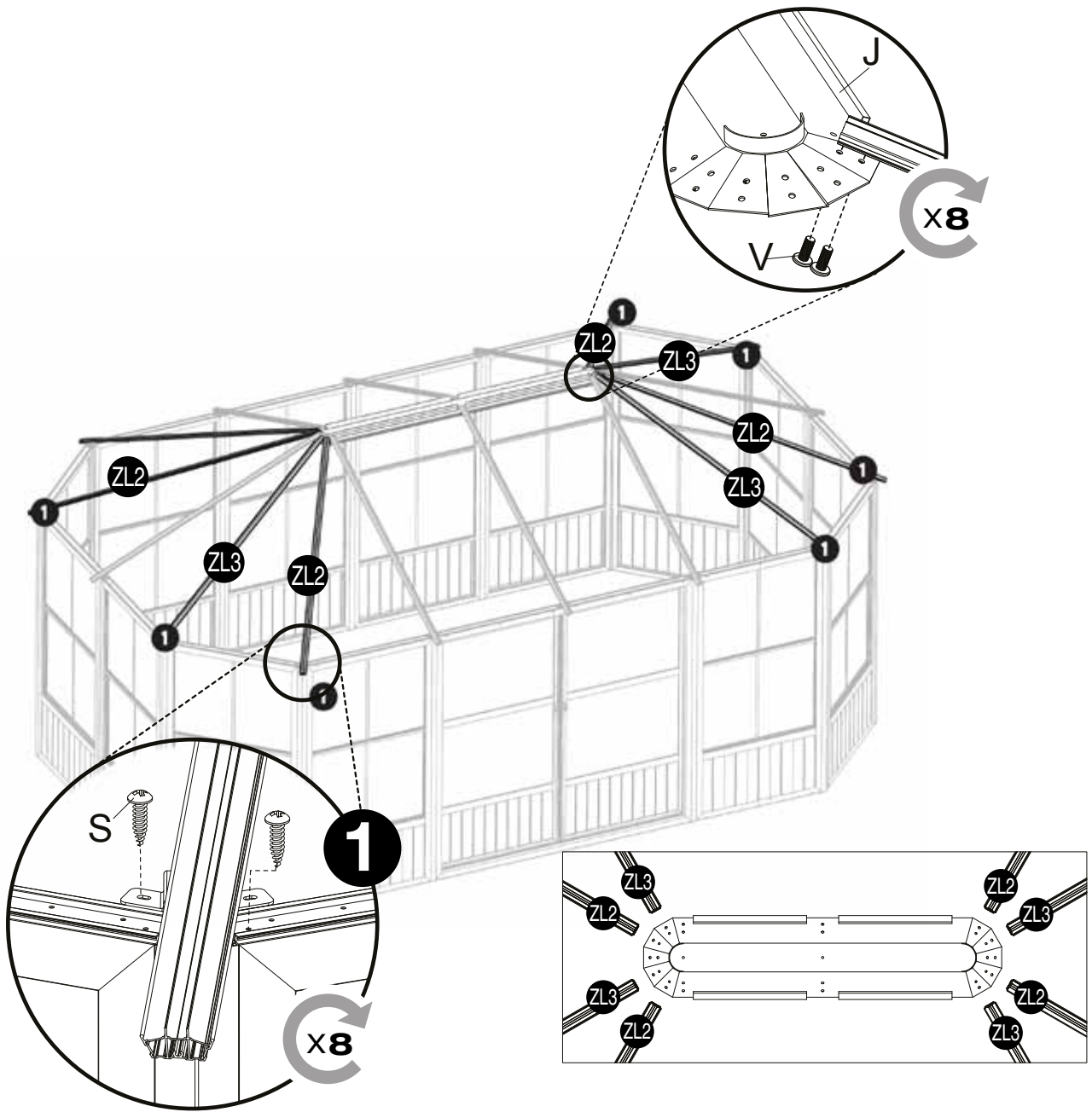


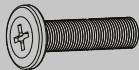
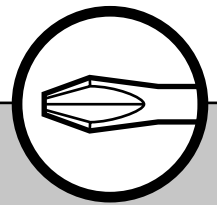
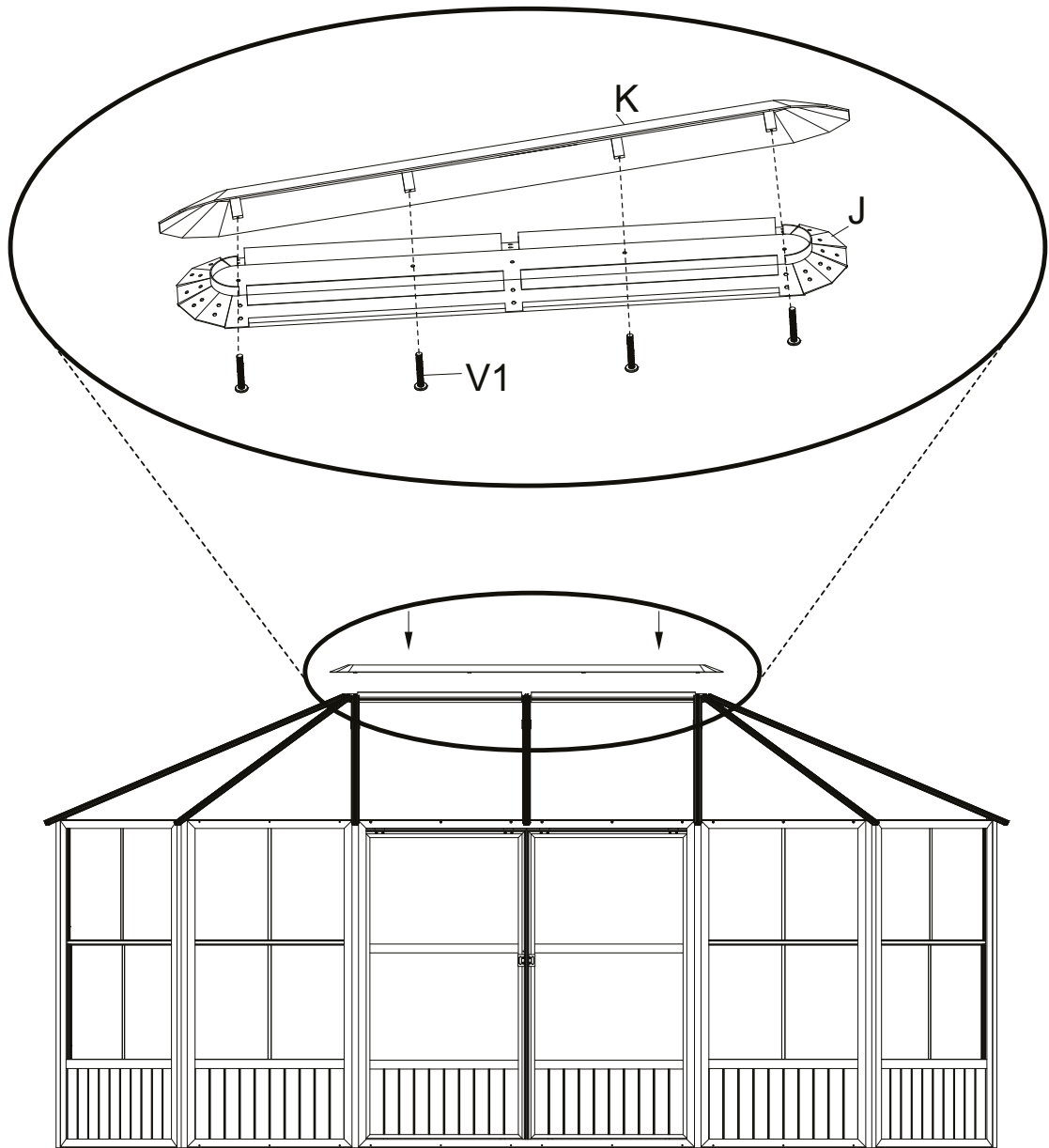




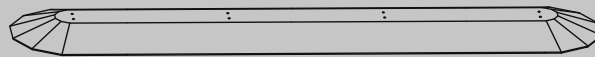


This section contains a parts list and safety icons. On the left is a long, thin component labeled 'J x1'. In the center is a screw labeled 'Sx16'. On the right is another screw labeled 'Vx16'. To the right of the screws are two circular icons: one with a hand and a diagonal line through it, and another with a pair of pliers.



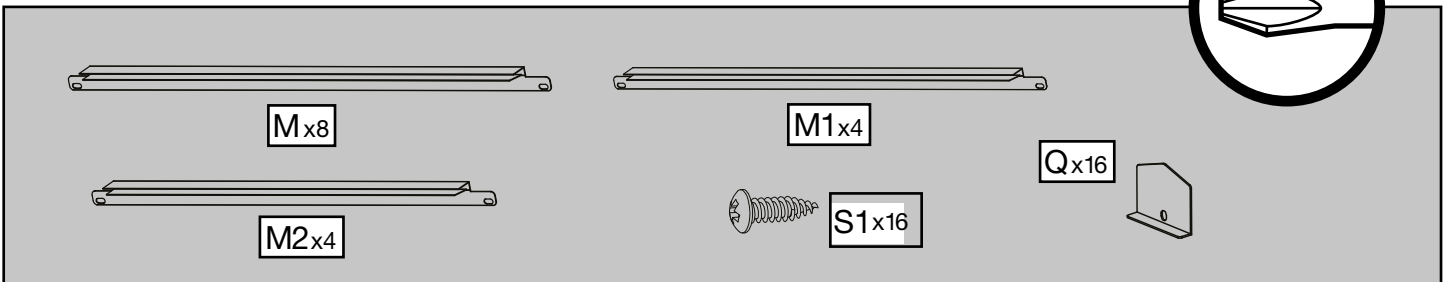
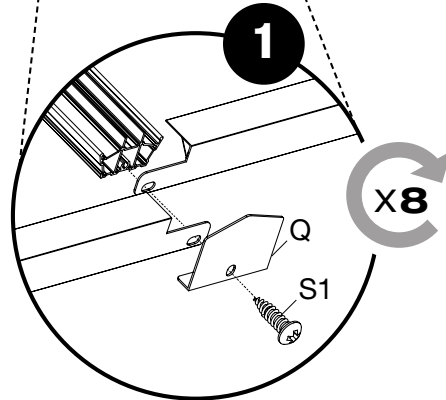
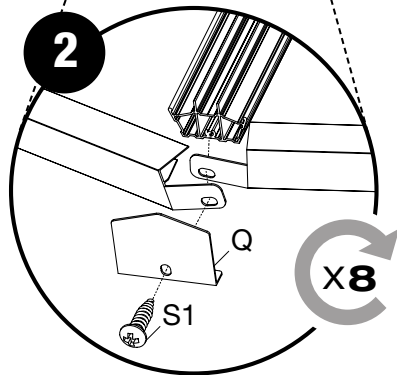
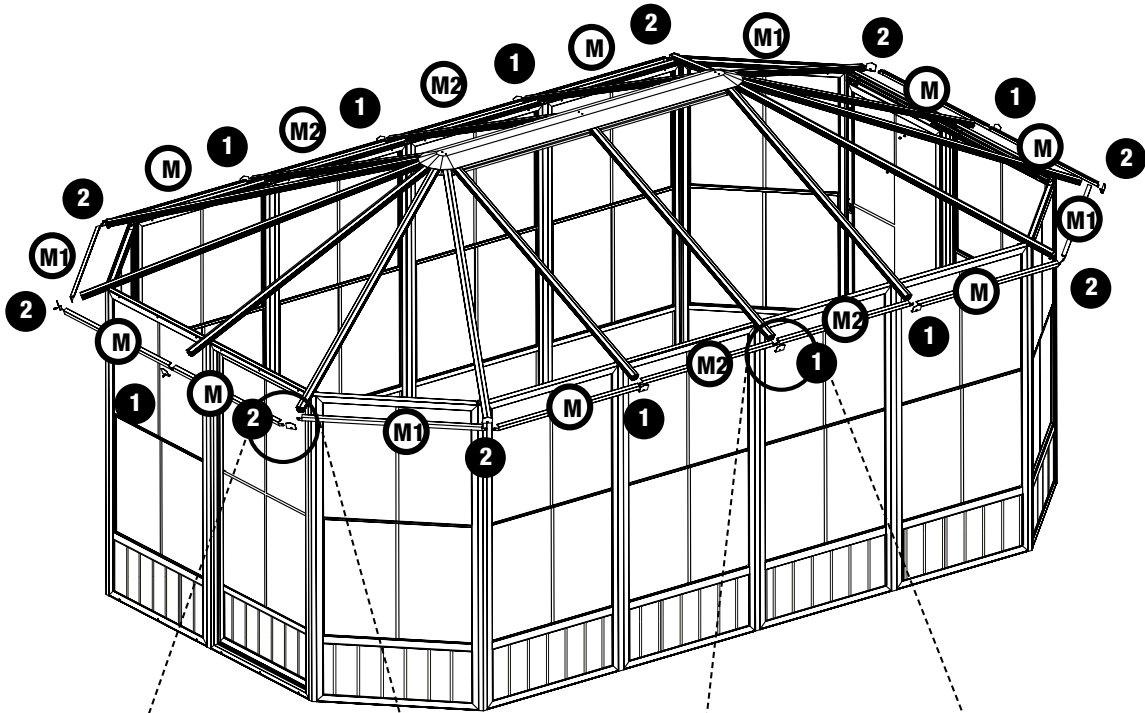
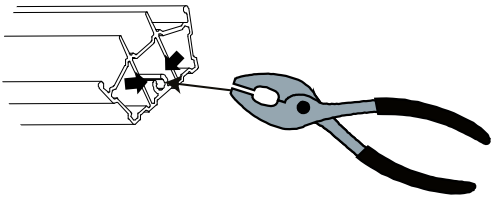


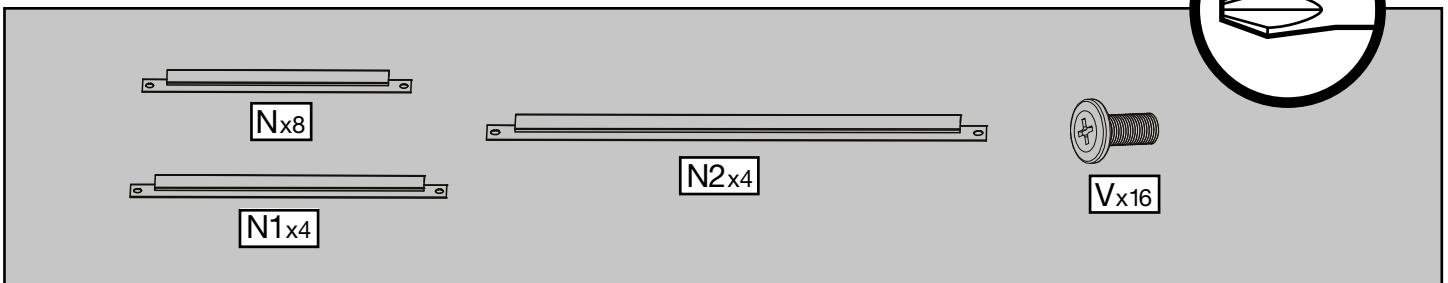
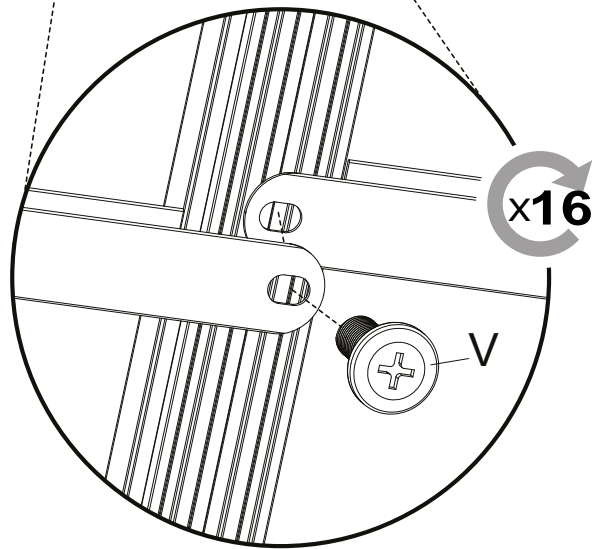
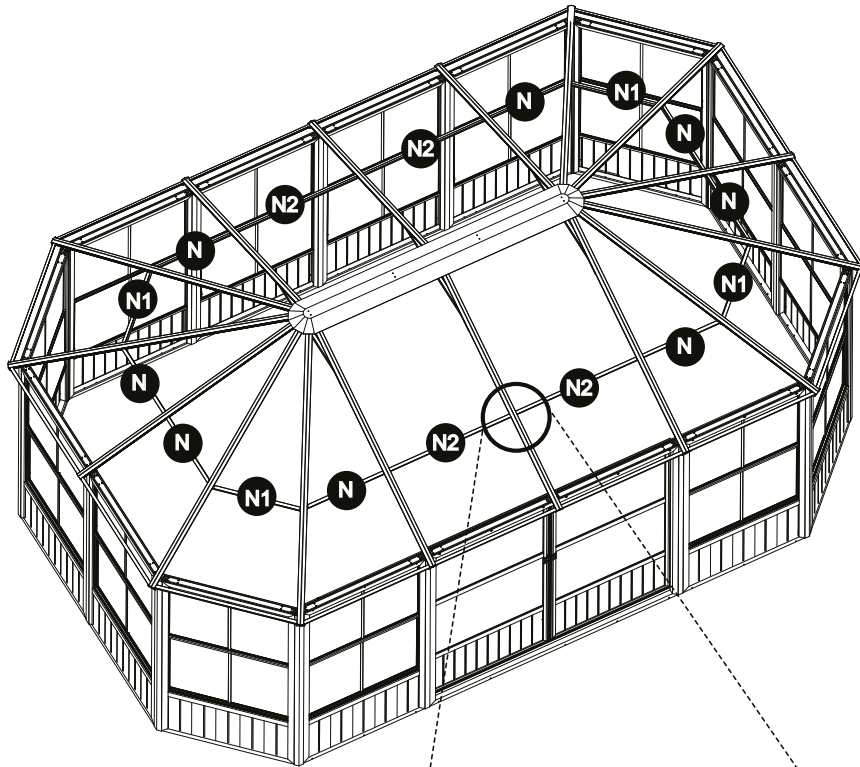
V1x4

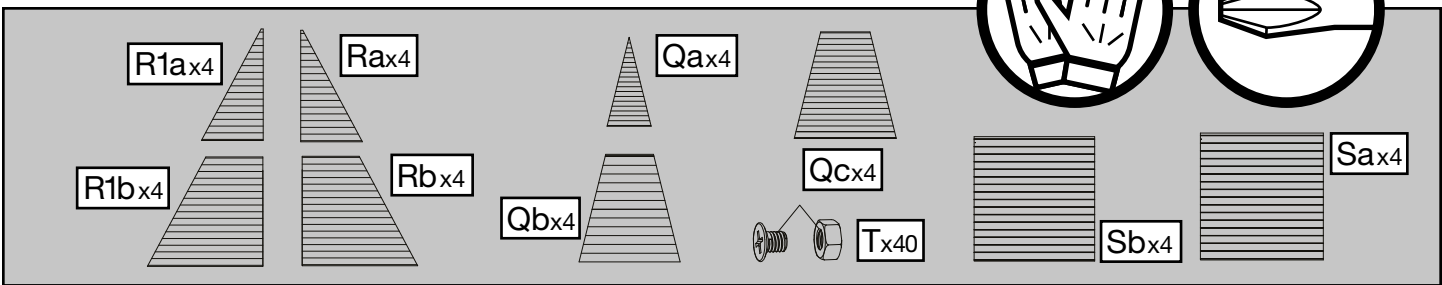
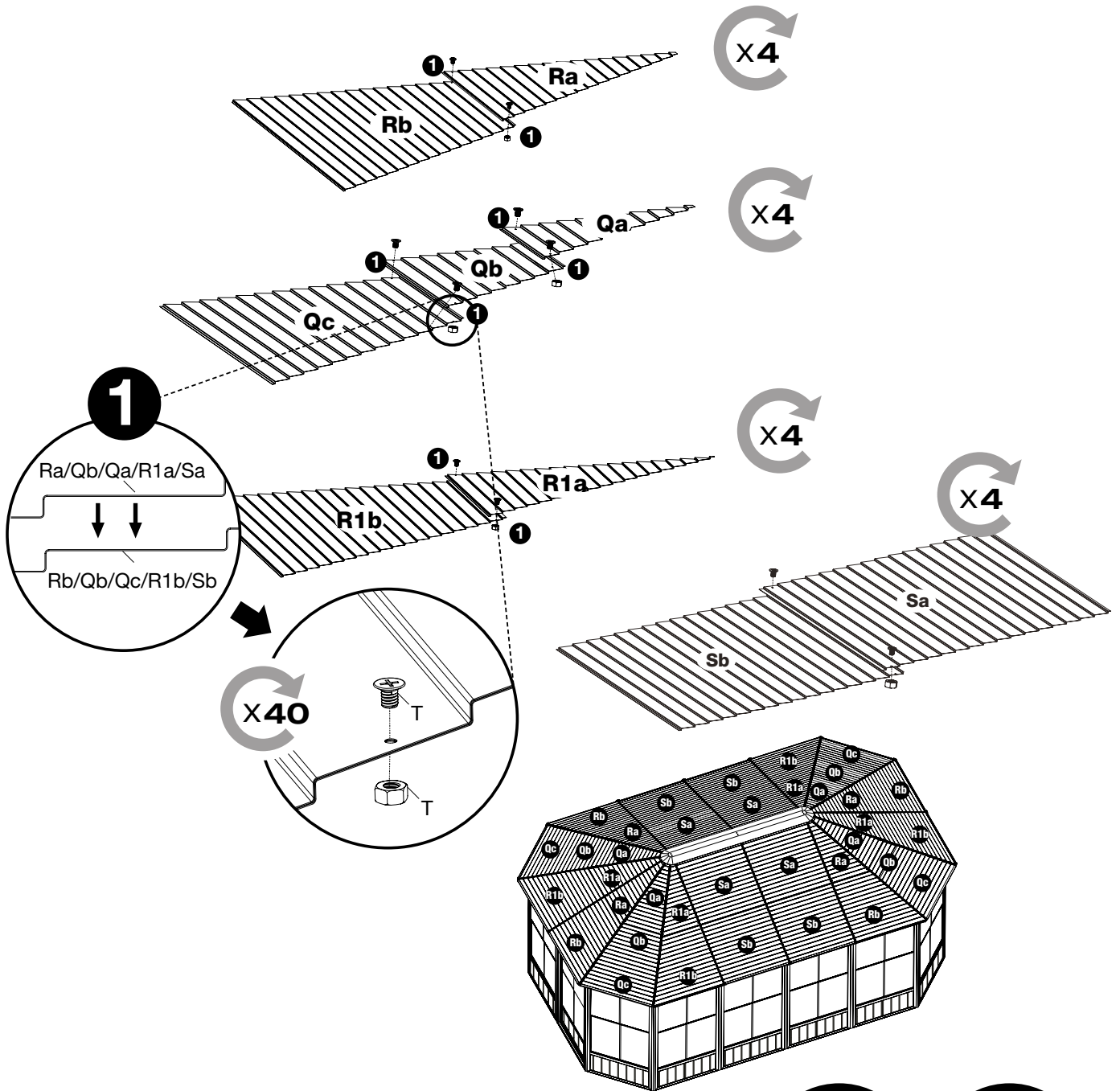


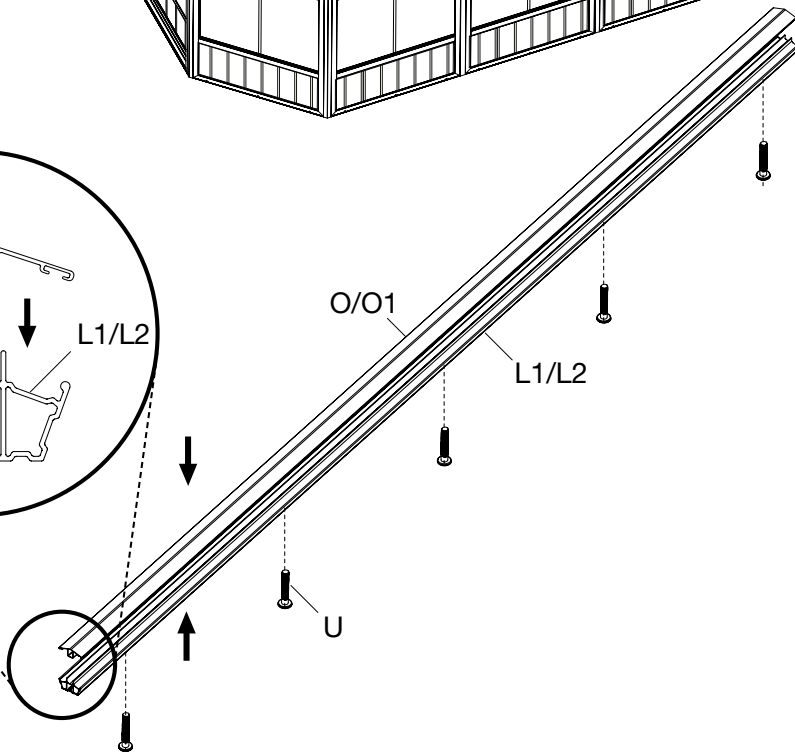
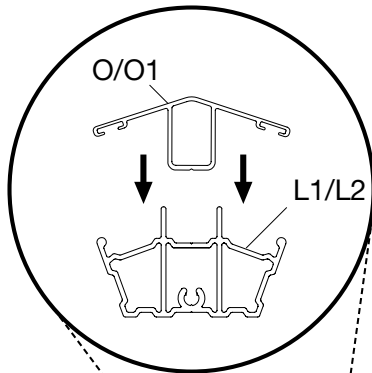
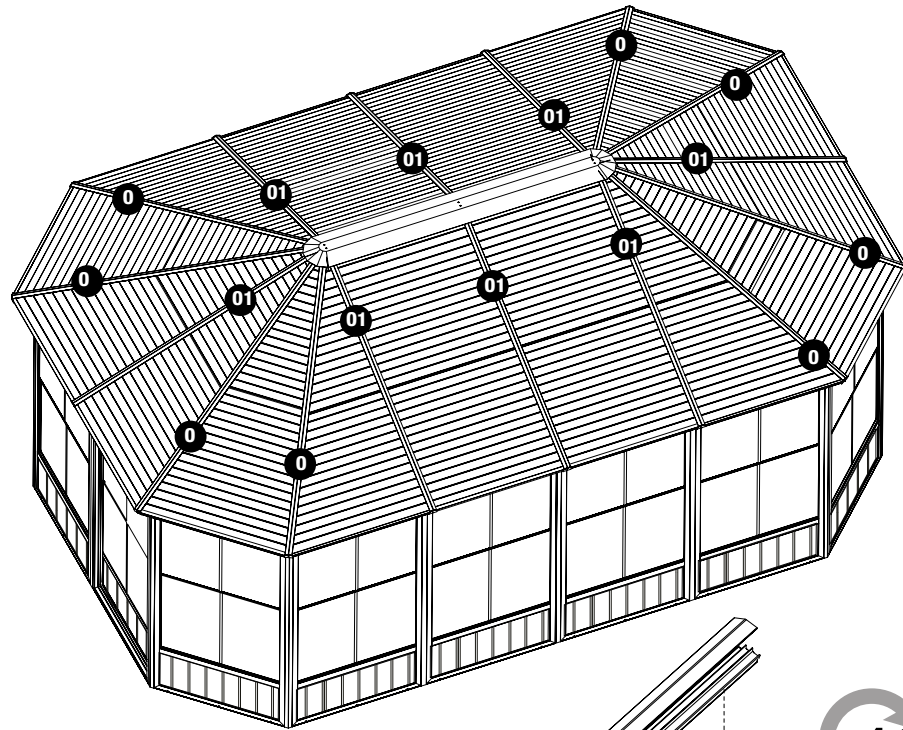
Kx1



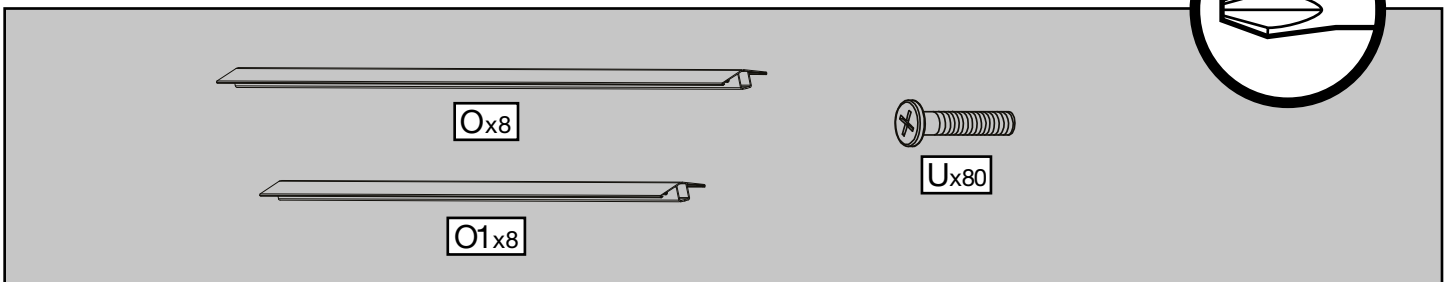


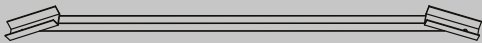
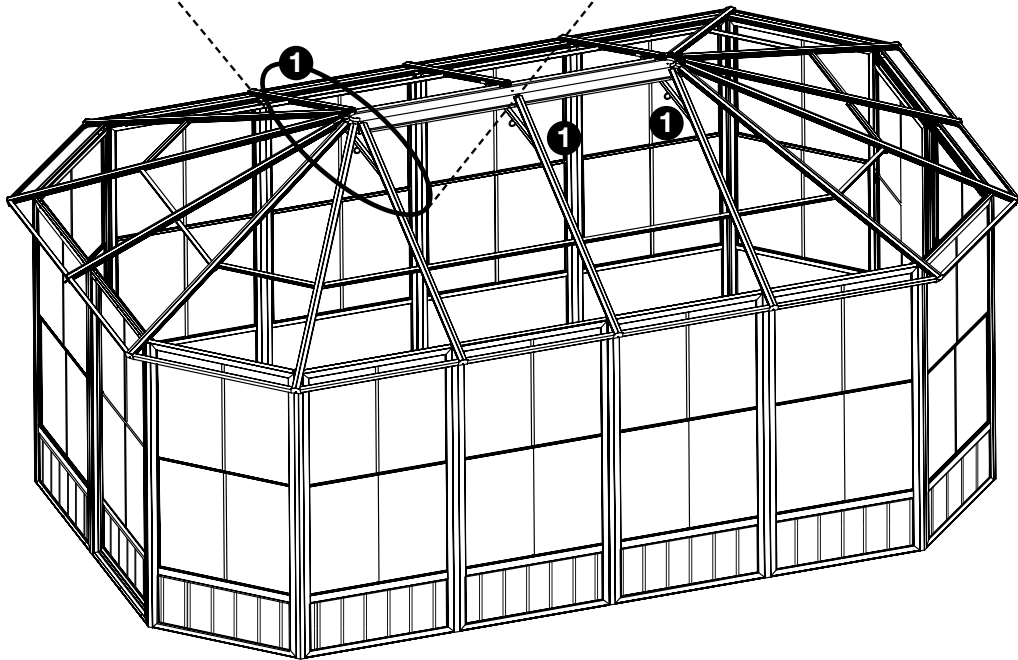
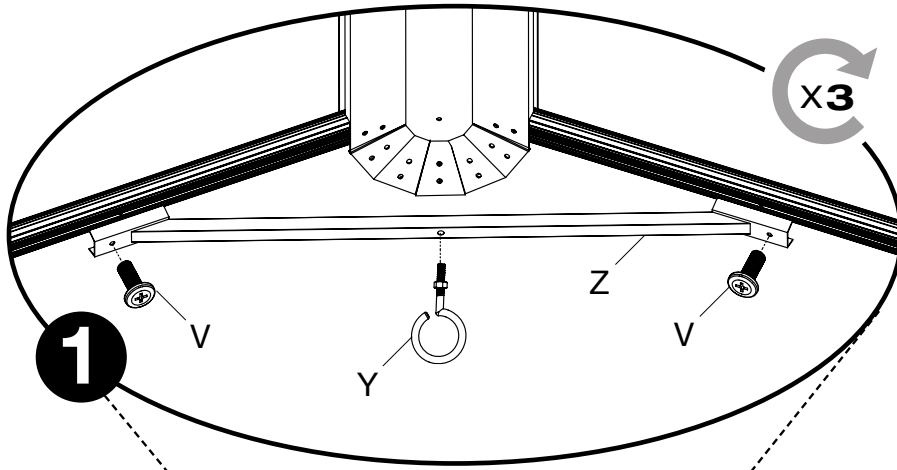






x16





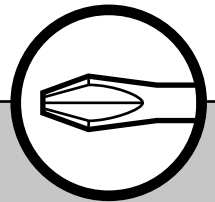
Zx3



Yx3



Vx6







**SOJAG** ■ I  
produits saisonniers • seasonal products