



USER AND INSTALLATION MANUAL FOR THE CARROUSEL AWNING



Warning:

**PLEASE ENSURE SNOW AND ICE REMOVAL ON STRUCTURE
FOLLOWING A SNOW OR ICE STORM !**

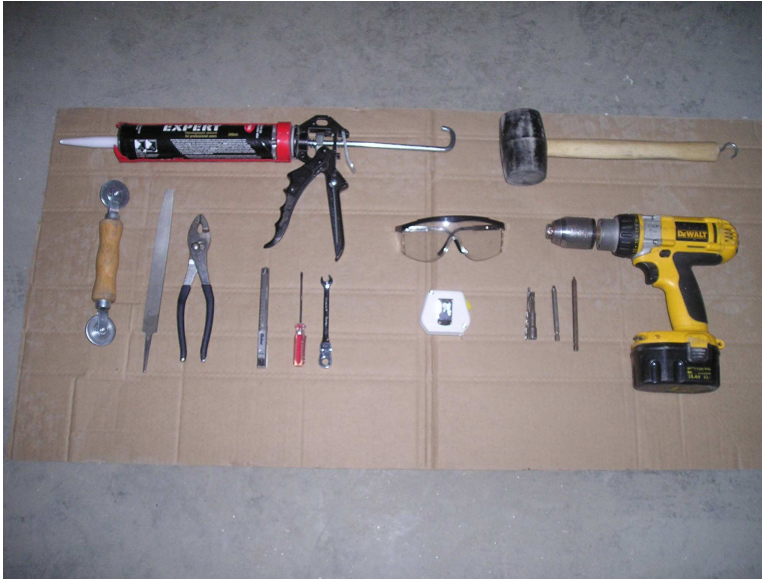
**FAILURE TO FOLLOW THESE PROCEDURES COULD RESULT IN
INJURY !**

- This user and installation guide is a complement to the installation video. It is highly recommended that you carefully review these instructions before installing your awning.
- Failure to do so could result in personal injury!

INSTALLATION PROCEDURES FOR THE CARROUSEL AWNING

	PAGE
TOOLS REQUIRED	3
LIST OF COMPONENTS	
Brackets and hardware	4
Walls of structure and roof components	6
FLOOR PREPARATION	8
ASSEMBLING THE WALLS.....	9
Assembling the 7 large panels.....	9
Building the 8 th panel.....	11
Anchoring the structure to the floor.....	13
Installing exterior cappings	14
ASSEMBLING THE ROOF	15
INSTALLING THE VINYL ROOFING	18
Unfolding the roof	18
Tightening the vinyl roof using the Flash attachment system® ...	19
THE DOOR INSTALLATION.....	21

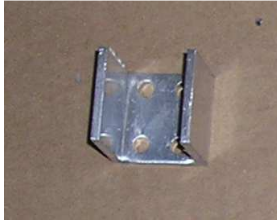
TOOLS REQUIRED



- 1 power drill
- 1 drill bit 5/32" *
- 1 drill bit 3/16" for cement *
- 1 5/16" hex drill bit adaptor*
- 1 5/16" hex wrench *
- 1 small pry bar
- 1 square drill bit number 1
- 1 square drill bit number 2 *
- 1 sharp knife (Exacto)
- 1 pair of safety glasses
- 1 metal file
- 1 measuring tape
- 1 chalk line
- 1 rubber mallet
- 1 pair of pliers
- 1 caulking gun
- 4 tubes of 100% silicone (white or beige)
- one 8 foot long ladder
- one small 3 foot ladder
- * tools included with shipment

LIST OF COMPONENTS

Brackets and hardware:



U bracket for fixing

4



#8 metal screws, square head, $1 \frac{1}{4}$ " long

40



22.5° bracket insert for joining upper panels together

8



5/16" self-tapping screw, $\frac{3}{4}$ " long

100



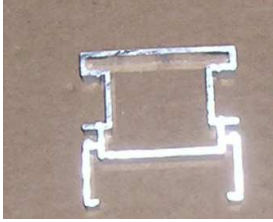
Square roof cubes

8



V bracket for joining panels and anchoring to the floor

8



Template representing the leg of a panel

1



Roof crown

2



Cement screws 1 $\frac{1}{4}$ " long

8



Door handle complete with screws and lock

1



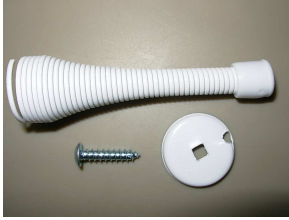
#6 self tapping screws for door hinges, 3/8" long

6



#8 pan socket metal screw for door assembly. $\frac{3}{4}$ " long

6



Door stopper

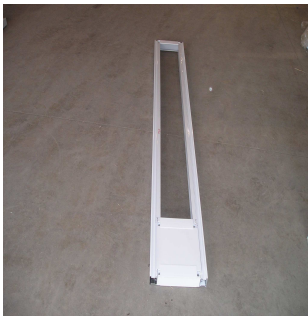
1

Walls of structure and roof components



Wall panels 78" x 56.5 "

7



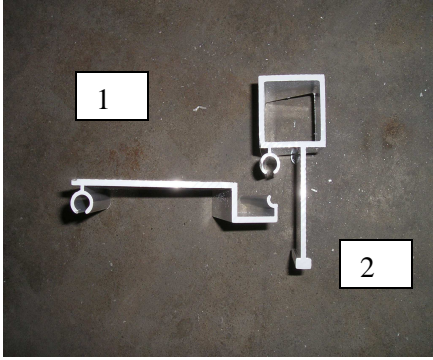
Side wall panels 78" x 10.75"

2

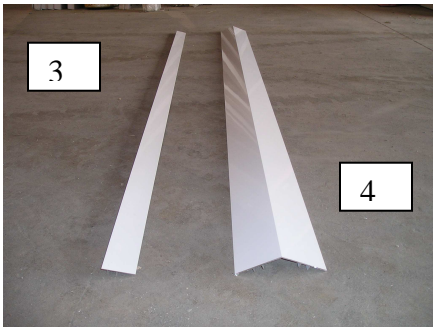


Door

1



1 - Cornices 8
 2 - Flash attachment systems 8



3 - Simple interior capping 20
 4 - Exterior capping 8



Upper door member 35" with its 2 outside cappings 1

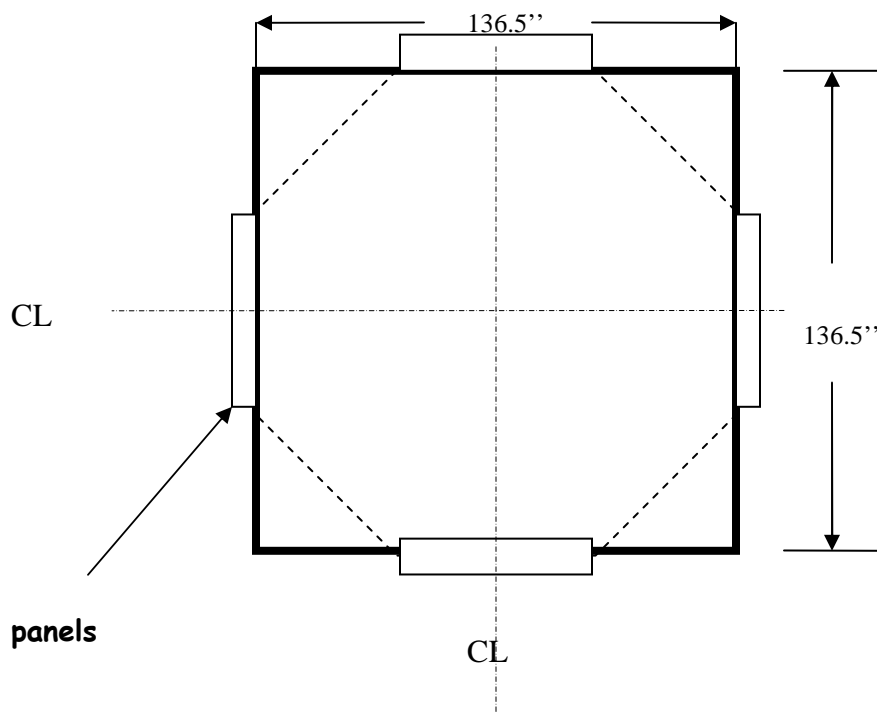


Rafters 1.5" x 1.5" cube 8

FLOOR PREPARATION

Before starting installation, make sure that the floor is level and structurally sound. Note that the interior dimensions of the octagonal *CARROUSEL* are 136.5 inches. The minimum overall size required for the platform is 142 inches, which includes an extra inch all around the awning.

- Start by finding the center of the platform.
- Draw a square figure 136.5" x 136.5" in the center of the platform with a chalk line (see drawing below.)
- The dotted lines represent the reference line for positioning the panels during installation. Remember that these are interior dimensions of the *CARROUSEL* and the panels must rest on the outside of the dotted line.



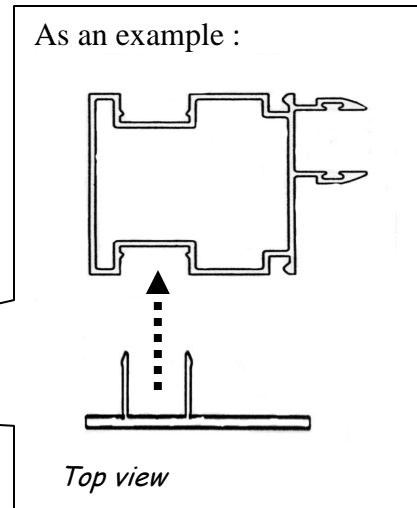
TOP VIEW OF THE FLOOR AREA

_____ chalk line, CL : center line

ASSEMBLING THE WALLS

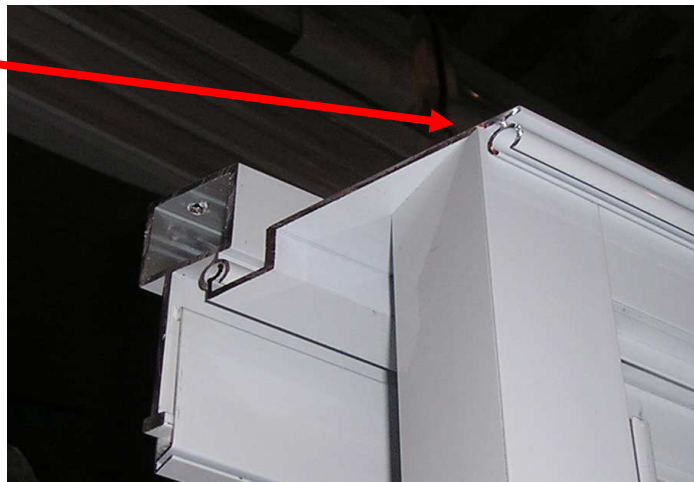
Assembling the 7 large panels

- Install the interior cappings on each panel with the use of a rubber mallet (this step may have been done at the factory prior to shipment.) As a reference, the screen is always facing outwards and the polymer windows facing inwards. There are 2 interior cappings per panel. There are a total of 7 large panels and 2 small side panels.

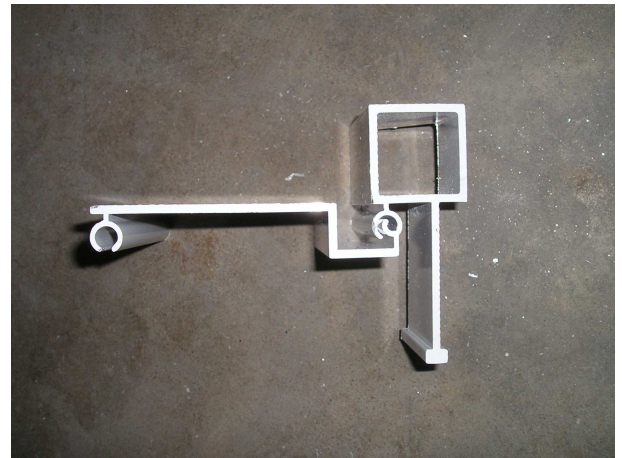
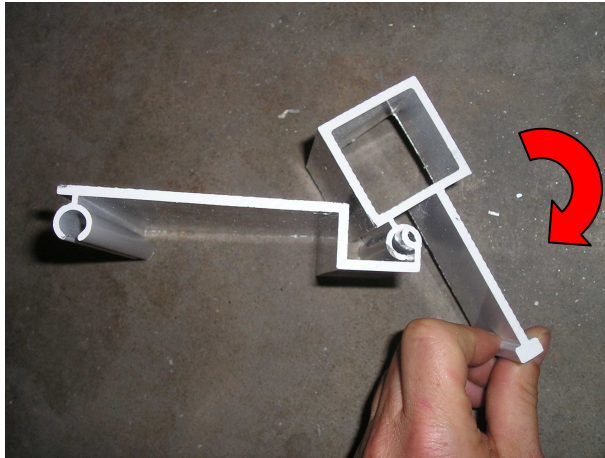


- Install the cornice on top of each panel with five 5/16" self-tapping screws. The holes have been pre-drilled at the factory for your convenience. The cornice must be flush and equidistant to each corner as seen in the picture below.

Cornice must be flush



- With the help of another person, place 2 panels upright, side by side on the outskirts of the chalk line you drew on the floor. The angle of the cornices should align perfectly.
- Install the Flash attachment system® on the cornice of each panel. To do so, tilt the attachment system as shown so that it hitches on the lip of the cornice, and then tilt it back straight.



- Slide a 22,5° bracket insert in the upper part of the Flash attachment system® so that it joins both panels together.



The 22,5° bracket insert will join both panels together

- If the floor plan has been properly prepared, the panels should align perfectly.

- With self-tapping 5/16" screws, fix the system as shown below. This will secure both walls together.

Self-tapping 5/16" screws

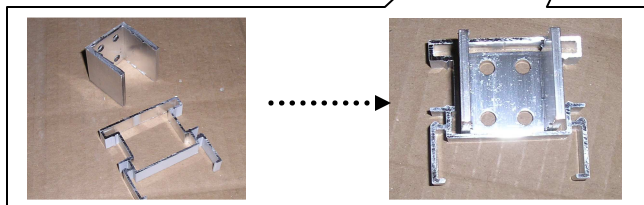


- Repeat the above process until all 7 walls are attached together.

Building the 8th panel:

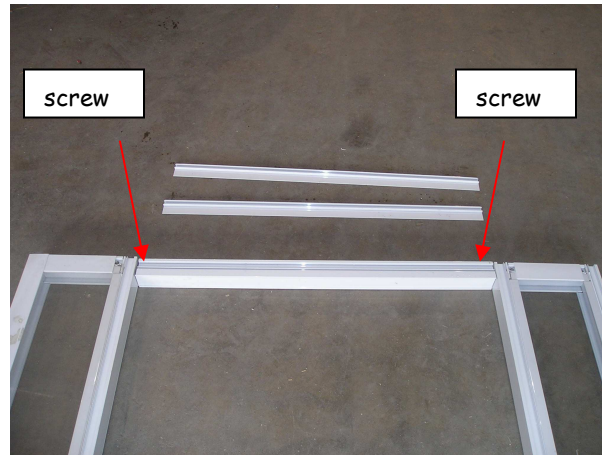
The 8th panel is composed of 2 side panels, a door and an upper door member complete with its 2 outside cappings. To build this last panel:

- Lay both side panels with the polymer side facing upwards.
- Install a U bracket on the inside of each panel as shown on the picture below.



Use the template to ensure that the U bracket is well positioned

- Once these 2 brackets are installed, slide in the upper door member in the U brackets and fix it with self-tapping screws on both sides, then install the cappings.



- Install the cornice on the top of the assembled panel as done with previous panels and place the wall beside the other panels to complete the octagon.
- Install the Flash attachment system on the cornice, slide in the 22,5° insert to join the panels together. The walls of the CARROUSEL are now complete.



Anchoring the structure to the floor

- Once the wall structure is complete and the panels have been secured together, fix the structure to the floor.
- Make sure the walls are properly centered on the reference lines on the floor.
- Use the small V brackets provided and fasten the bottom of two panels together with 5/16" self-tapping screws as shown on picture below.



- Once all panels are fixed together, the V brackets can be fixed to the floor. Use the proper screws for the type of floor substrate you have.

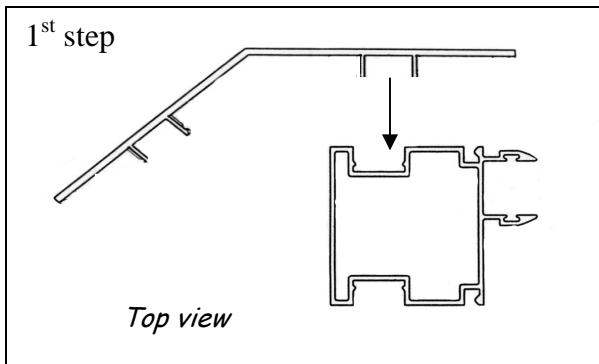
Different floor types:

- WOOD FLOOR: use #8 square head screws 1 $\frac{1}{4}$ " long.
- CEMENT FLOOR: you will need to pre-drill a 3/16" hole with an impact drill and use cement screws 1 $\frac{1}{4}$ " long.
- FIBERGLASS ON WOOD: make sure you use the length of screw that is appropriate to your floor structure. Note that it is important that you seal the hole with caulking when piercing the fiberglass or else the fiberglass substrate may delaminate in the event of water infiltration.

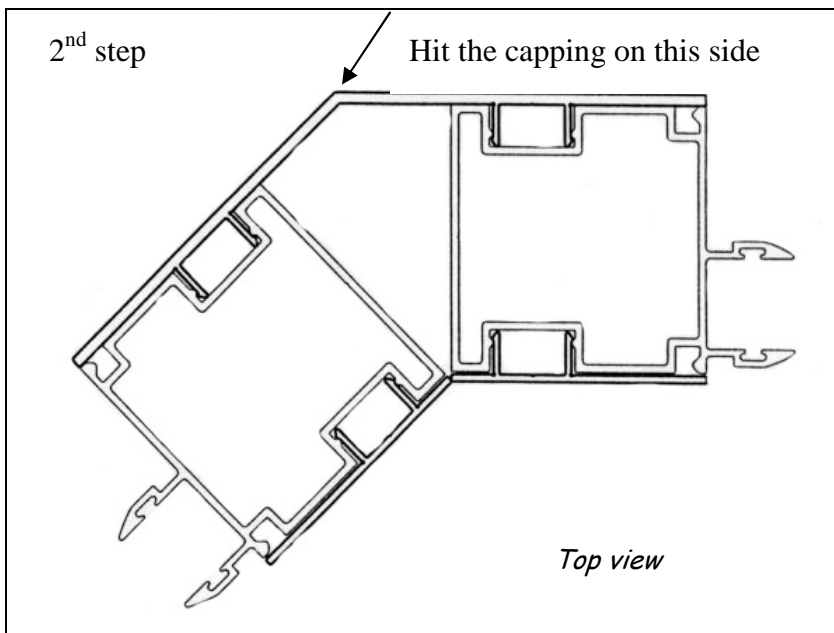
Installing exterior cappings :

Once the structure is secured to the floor, the cappings can be installed. There are 8 exterior cappings that join the panels together.

- Place the capping as seen on drawing below. Note that on one of the sides, the grooves is smaller. Make sure you start the alignment of the capping with the opposite side. With a rubber mallet, hit the side of the capping forcefully until the opposite end snaps into place.
- Start from the top of the structure and work your way down. If the walls have been joined correctly, the cappings will snap in easily.
- Repeat the procedure until all 8 cappings are installed.



Insert one side of the exterior capping, be sure that the screen is under the capping before the second step



You may hit the capping with the rubber mallet where the arrow is pointing. Be sure that the screen of your second panel is under the capping.



ASSEMBLING THE ROOF

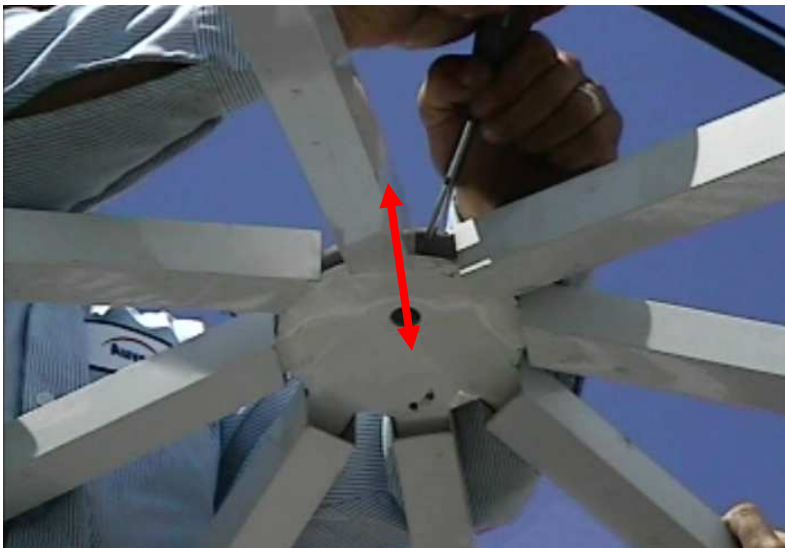
- We have provided 8 small square cubes to be installed under the roof rafters to hide the visible opening in the rafters and to be used as a support to these rafters. Start to place 8 cubes in each corner, you will see the utility later.
- The rafters are now ready to be installed. Using #8 metal square head $1 \frac{1}{4}$ " long screws, fix the rafters to the Flash attachment system®. Place the rafters on the Flash attachment system® as seen on picture. The rafters must be centered between the two cornices and must be slightly inwards to ensure no sharp edges will protrude. Pre-drill two $5/32$ " holes in the rafter, through the Flash attachment system® and through the bracket inset.





Pay attention to the small square cube, it must be placed under the rafter like a support, it will enable the rafter to stand up by itself.

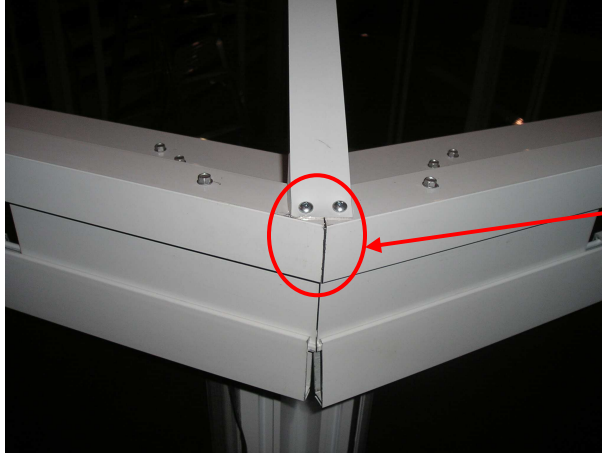
- Repeat these steps until all 8 rafters are in position. With the help of small square cubes, each rafter should be standing up.



- You are now ready to fix the roof crown. Insert each rafter in the roof crown and separate the two crowns to be sure that there is one to the top and another to the bottom. Fix it with #8 metal square head $1\frac{1}{4}$ " long screws.

CAUTION:

It is important to file down any rough or cutting edges found on the Flash attachment system® and on the rafters. If this is not done properly, the vinyl roof may be damaged during installation or later on.



You must file down any rough corners to prevent damage during installation.

- The aluminum structure is now complete and ready to receive the vinyl roof.



INSTALLING THE VINYL ROOFING

Unfolding the roof:

- The vinyl roof has been specially folded to facilitate the installation so leave it folded until further notice.
- With the help of someone inside the *CARROUSEL*, place the vinyl roof on top of the roof structure and pull the pointy part of the vinyl roof up towards the center of the awning i.e. on the roof crown.



- Unfold the vinyl roof until you get half of the roof covered. Make sure you match the sewing seems with the rafters. No sewing seem should be visible from inside the awning.
- Unfold the other half of the vinyl roof by flipping it over to the other side of the structure making sure the corners are well in place and the sewing seems are well aligned. Verifying this is mandatory before beginning the next step.

Tightening the vinyl roof using the Flash attachment system®



- Once the vinyl roof is properly centered and the sewing seems are well aligned with the rafters, fold back partially each corner of the vinyl roof over the cornices as shown.

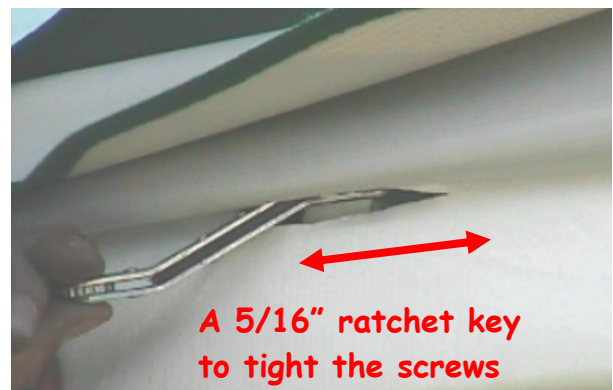
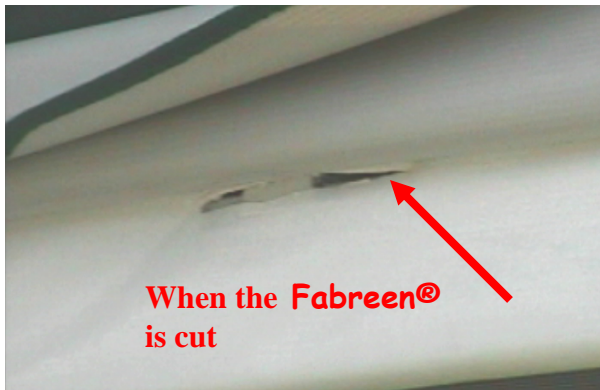
- The white Fabreen® strip sewn on the vinyl can now be inserted in the Flash attachment system® so that tension can be put on the vinyl. To do so, fold the PVC strip in the groove of the Flash attachment system® as shown below. Follow this procedure until all 8 sides are inserted.

the groove of the Flash attachment system®



- With a sharp knife, cut a 3 inch long slit in the Fabreen® to access the bolts of the tensioning system. There are 2 bolts per system, one on each extremity.

- You are now ready to start applying tension to the Flash attachment system®. With a 5/16" ratchet key, tighten the 2 screws on each system. Make sure you tighten both bolts so that the tension is distributed equally.



- It is important to alternate this tightening procedure on all 8 sides of the roof. We recommend that you apply tension on opposite sides to ensure that the tension is well balanced.
- Once you get the correct tension on the roof, fold down the corners of the vinyl roof to complete the installation.

THE DOOR INSTALLATION

- The door will be shipped to you completely assembled. Note that adjustments are possible to the bottom part of the door as well as the side of the door where the hinges are fixed.

hinges

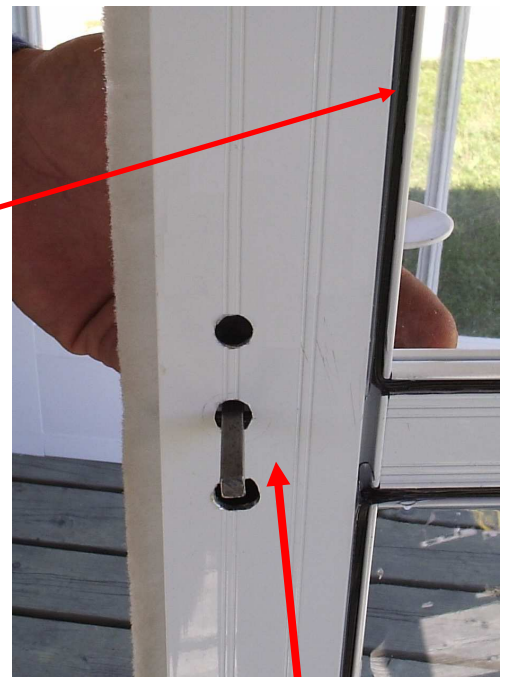
- Align the hinges as shown on picture. Make sure you provide the proper clearance on top and on each side of the door.



- Fix the hinges with #6 self-tapping screws, 3/8" long to the side panel. Secure the side and bottom portions of the door with #8 pan socket metal screw for door assembly. 3/4" long

- Make sure that the polymer piping is inside the awning

- The last step is the handle installation. The door will be pre-drill at the factory. In the middle hole, you will have to insert a square bracket (it's used to attach both handles together). The following pictures will explain the assembly.



Square bracket

- Be sure that the door mechanism is well positioned as shown and fix with the screws included in the package.



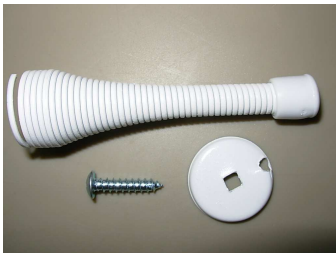
Exterior handle

Interior handle



screws

- Install the inside door mechanism as shown. Align the inside handle to be sure that the lock is well positioned.



- Install the door stopper in a location where it will prevent the door handle from damaging the windows



YOUR INSTALLATION IS NOW COMPLETE
CONGRATULATIONS

